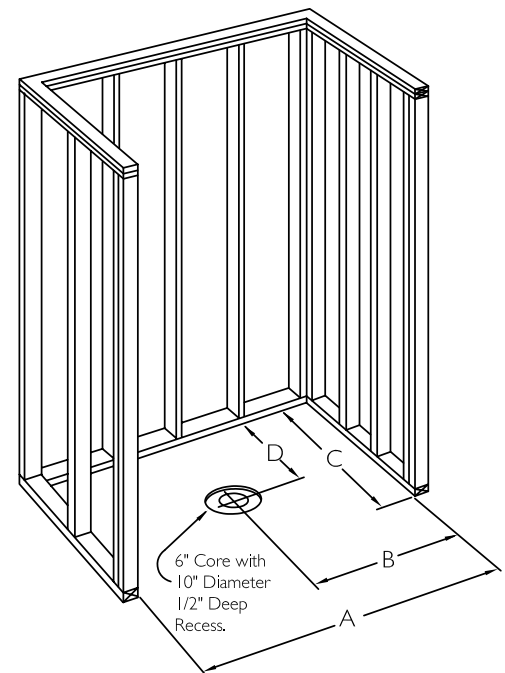
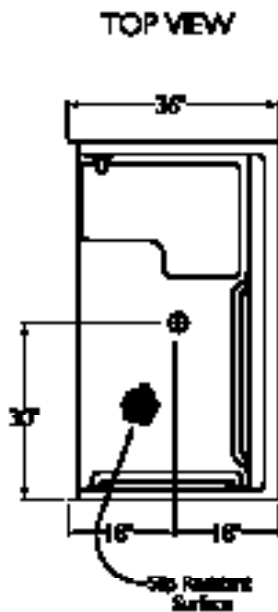
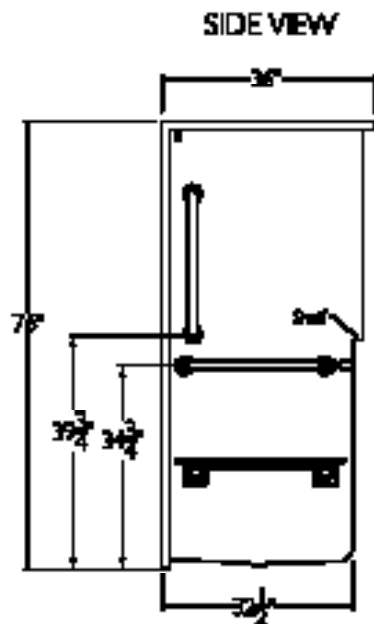
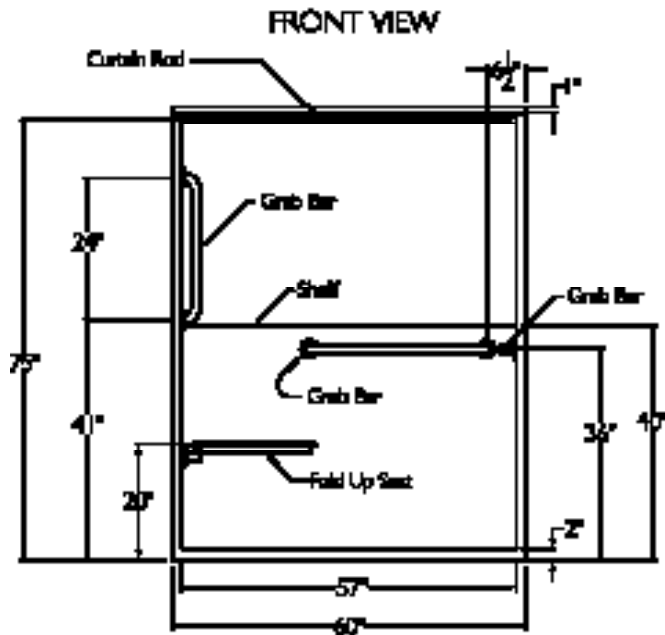


CD Product Sheet
ACCESSIBLE
XSS6036BF

ACCESSIBLE
 Enhancing Livable Design

TECHNICAL INFORMATION

OD 60" x 36" x 76"
 LOAD FACTOR 1.26
 HANDED BY Drain



FRAMING DIMENSIONS

A 60.25" B 30.125"
 C 36" D 18"

ADDITIONAL CODES

ICC/ANSI I 7.1, ANSI I 24.2, ADAAG,
 BOCA, NAHBUPC, Southern Building
 Code

CROSS SECTION OF THRESHOLD

