

CD Technical Data Sheet

ACCESSIBLE XSA6036BF

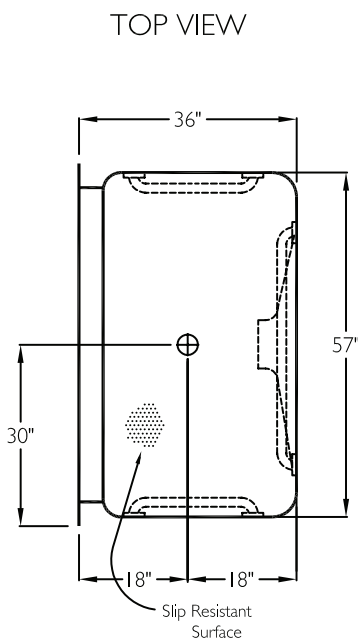
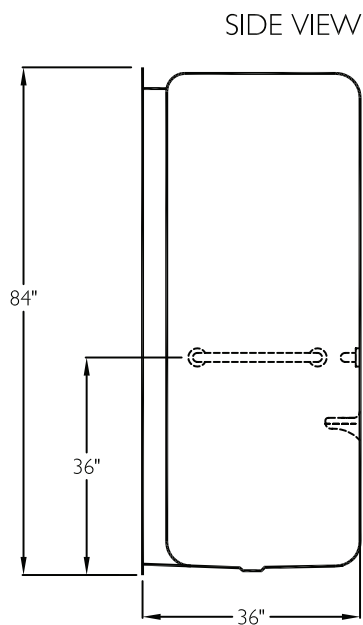
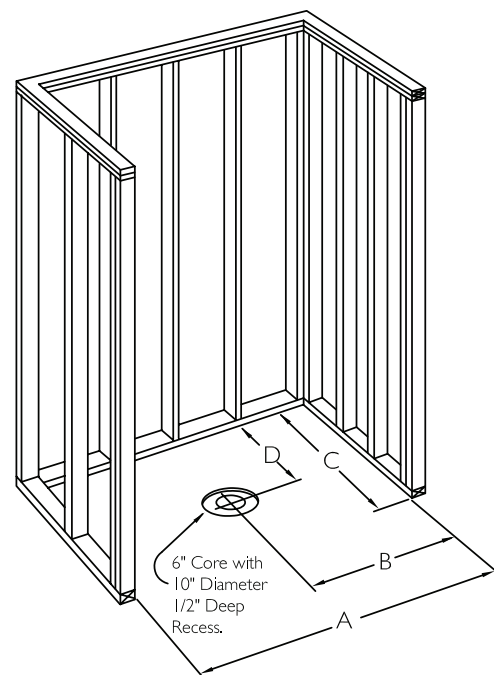
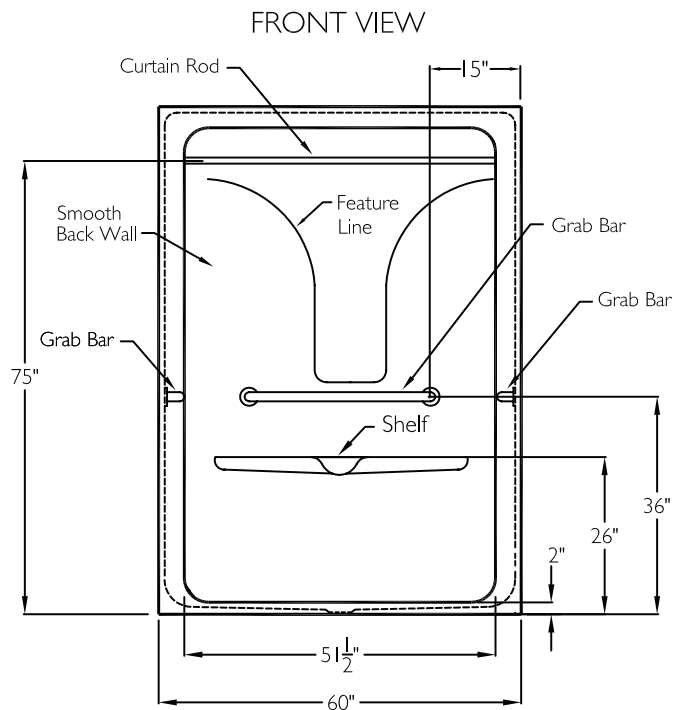
ACCESSIBLE
Enhancing Livable Design

TECHNICAL INFORMATION

OD 60.25" x 36" x 84"

LOAD FACTOR 1.26

HANDED BY Valve Wall



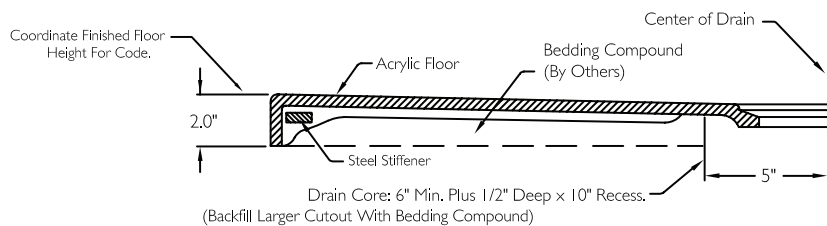
FRAMING DIMENSIONS

A 57.25" B 28.75"
C 36" D 18"

ADDITIONAL CODES

ICC/ANSI 17.1, ANSI 24.2, ADAAG, BOCA, NAHBUPC, Southern Building Code

CROSS SECTION OF THRESHOLD



cd
comfortdesigns