

# CD Technical Data Sheet

## BASES COLLECTION

### SSB6238BF

ADA/ANSI code compliant

NOTE: For ADA/ANSI compliance, pressure balancing mixing valve, hand-held shower with slide bar, vacuum breaker and 60' hose must be installed per ADA/ANSI guidelines.

**BASES COLLECTION**  
Enhancing Livable Design

#### TECHNICAL INFORMATION

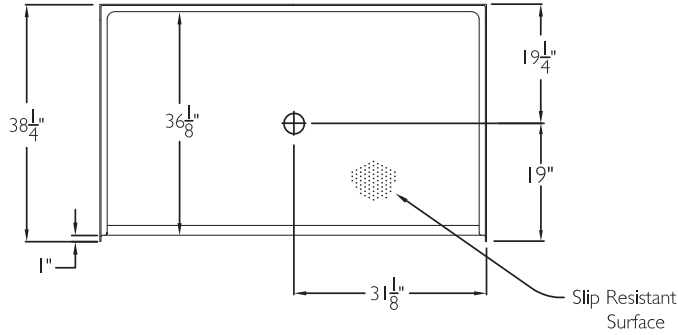
OD 62.375" x 38.5" x 4.5"

ID 60" x 36" center point

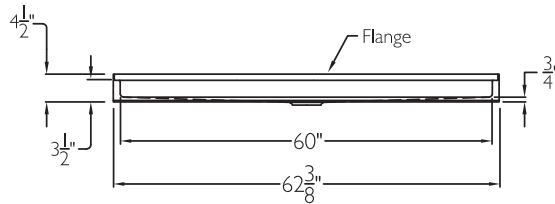
LOAD FACTOR 0.18

HANDED BY Center Drain

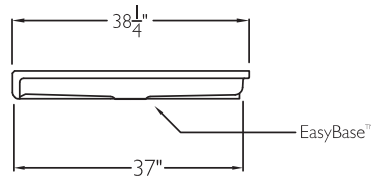
TOP VIEW



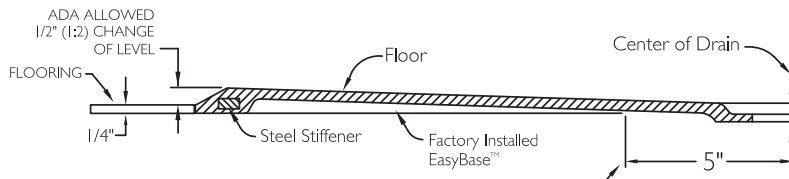
FRONT VIEW



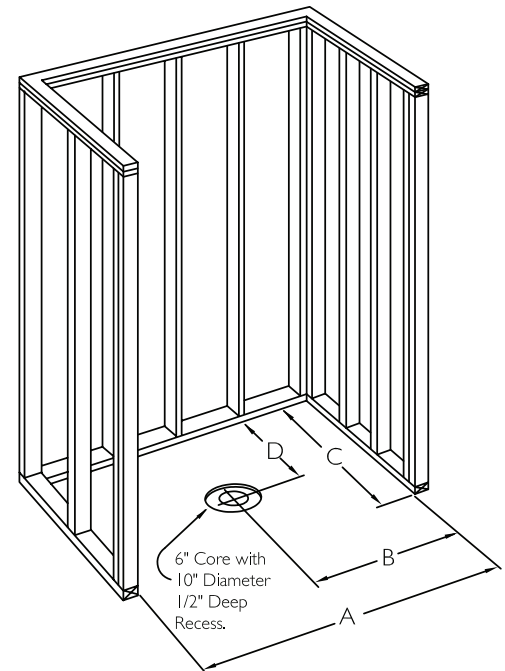
SIDE VIEW



CROSS SECTION OF THRESHOLD



Drain Core: 6" Min. Plus 1/2" Deep X 10" Dia. Recess.  
(Back Fill Drain Core with Bedding Compound)



#### FRAMING DIMENSIONS

A 62.5" B 31.25"

C 38.25" D 19.25"

#### ADDITIONAL CODES

ICC/ANSI I7.1, BOCA, NAHBUPC,  
Southern Building Code