

Code Approved Showers
Shipped In Two Days

Need it now?

Problem solved!

Now, if you get surprised by an unexpected need for a premium residential shower or even an ADA compliant shower to keep your project on schedule, you can have up to two models ready to pick-up or ship within 48 hours.



QSI48
Quick Ship
INVENTORY

Praxis Companies, LLC.

Aquarius Bathware • Comfort Designs • Hamilton Bathware

I need it now. Problem solved!



QSI72

Praxis Companies is proud to present the latest addition to our QSI family, QSI72. QSI72 will offer the same exciting, efficient and fast service that you are used to the current QSI48 program only it will also include a specific installed valve and hand shower in a specific location per model.

The QSI72 program has allowed us to take some of our already available QSI models and add our stocking Symmons valve and Hans Groie Hand shower assembly's to them. Making them "ready to go" when order is received.

For those of you not familiar with the existing QSI48 program, Praxis Companies offer specific high demand ADA and assisted living product to be shipped within 48 hrs. First we accessorized the ADA units to meet ADA standards and the assisted living units with a grab bar. The ADA roll in and transfer showers feature our patented Easy Base option which allows for a much simpler, economical & faster installation. Praxis made these units available with in a maximum number per order to ship w/ in 48 hour of the order with no modifications. QSI48 has been a huge success and we would like to thank you all for that. In response to the high demand by the QSI48 customers, We are pleased to announce that we will begin offering specific models w/in the QSI program with factory installed V & H upon request.

There are of course guidelines w/ the QSI72 as there are with the QSI48. The guidelines are as follows:

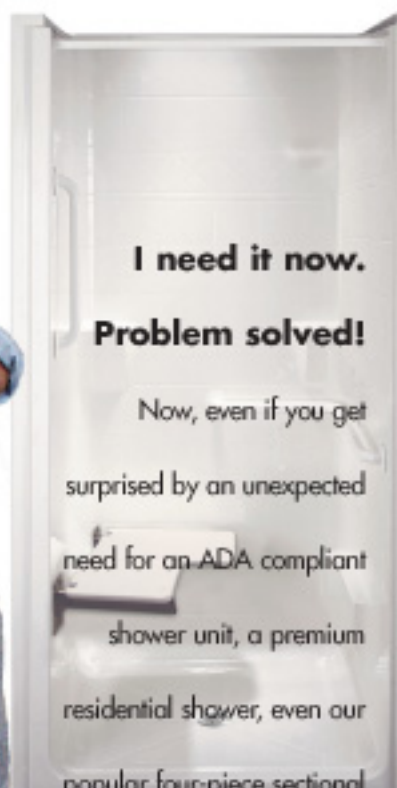
- 1) Only the QSI3698BF, QSI3938, QSI6334 and the QSI4136BF will be offered with the valve package.
- 2) The valve package will be in a standard location only. No deviations to this location.
- 3) An additional 24 hours will be required, making this unit ship w/in 72 hours instead of 48. (Cut off time for an order is still 12:00 noon. Any orders received after this time will be processed the next morning w/ the 72 hours starting then.

Attached you will find a QSI48 brochure along with new spec sheets detailing the units available with the new QSI72 option.

Thank you again for your continued support.

Tonya Davenport
QSI Manger
Praxis Companies
800-801-2820 ext 167

Code Approved Showers Shipped In Two Days



I need it now.

Problem solved!

Now, even if you get surprised by an unexpected need for an ADA compliant shower unit, a premium residential shower, even our popular four-piece sectional

re-modeler unit, to keep

your project on schedule,

you can have up to two

models ready to pick-up or

ship within 48 hours.

- Excellent selection of products with factory installed accessories
- Easy to install the time and money saving **Easy Base™** models
- Commercial ADA and TAS code compliant models
- Ready to ship or pick-up within 48 hours
- **QSI48** orders limited to two units per order

QSI48

Toll Free: 800.801.2820

e-mail: qsi@praxisindustries.com

Praxis Companies, LLC.

Aquarius Bathware

Comfort Designs

Hamilton Bathware

Quick Ship

I N V E N T O R Y



RESIDENTIAL & COMMERCIAL
Gelcoat, Acrylic & Solid Surface



The future of fiberglass bathware manufacturing is now at The Praxis Companies.

Praxis Companies, LLC has invested in people and the newest robotic technology to improve product quality and consistency.

Praxis has been respected for years for the innovative, problem solving approach to product development and customer service. Time after time our people have listened and learned from customers, architects, engineers and plumbers to identify problems in the market and work to hard to develop solutions.

In the 1970's Aquarius developed the first one-piece acrylic shower and tub/shower compliant with the new ANSI Accessible Guidelines. Since then, hundreds of products and special features have been developed including the **Easy Base™** pre-leveled shower base, and **CenturyStone™** patented solid-surface process, all designed to improve product performance and added value for customers.

Now, the **Quick Ship Inventory Program (QSI48)** will revolutionize customer service and build customer satisfaction.

How to order.

- First review all options and policies of the QSI 48 program, printed on the QSI 48 Price List/Order form.
- You must use the furnished QSI 48 Price List/Order form (you may make as many copies of this form as needed or download the PDF file online for future orders.)
- Make your selection for the shower units needed (only two per order please) from this folder and the furnished QSI 48 Price List/Order form. Then sign and fax your order to Praxis QSI 48 customer service at 731.925.6430.



SAVANNAH, TENNESSEE

HAMILTON, ALABAMA

QSI48

Toll Free: 800.801.2820

e-mail: qsi@praxisindustries.com

Quick Ship

INVENTORY

Praxis Companies, LLC.

Aquarius Bathware

Comfort Designs

Hamilton Bathware



RESIDENTIAL & COMMERCIAL
Gelcoat, Acrylic & Solid Surface

www.aquariusproducts.com

www.comfortdesignsbathware.com

www.hamiltonbathware.com

The Evolution of Strength, Beauty & Simplicity



Patent Pending Design Factory Reinforced Shower Bottoms

- Polyurethane Fills
Contours To Solidify
Bottom Of Shower Unit
- Machined To A Flush,
Level Surface

Reduces Installation Risks

- Minimize Risk Of Soft
Shower Unit Bottoms
- Minimize Risk Of Water
Drainage Problems

Easy Base™, the patent pending design process by Praxis Companies, LLC.

Gelcoat Fiberglass surface creates the smooth, beautiful, long lasting shower surface

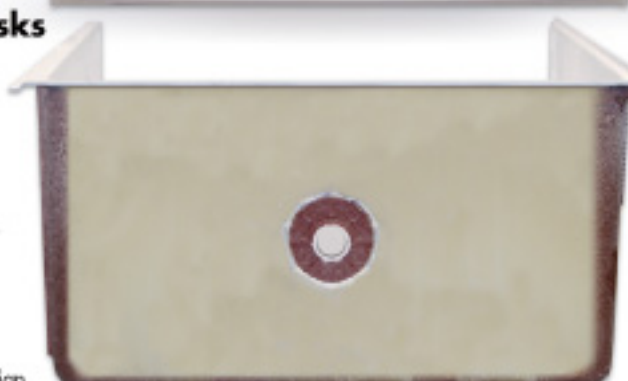
Fiberglass resin structural substrate cures to a seamless, strong encasement shell.

Polyurethane reinforcement, machined to a flush, level surface.

Steel rod, embedded into reinforcement to strengthen threshold.

Saves Construction Time And Money

- Simplifies Installation
- Reduces Installation Time
By Over 50 Percent
- Minimum Use Of Mud
(In Drain Area Only)
- Pre-Leveled Shower Unit
Ready To Install
On Level Surface



STRONG, LEVEL, SIMPLE

Easy Base™, the patent pending design process for factory reinforced shower bottoms provides our customers with a pre-leveled shower unit that is ready to install on a level surface. This problem solving feature is of tremendous benefit to construction plumbers, developers and owners by saving installation time and money, minimizing risk of water drainage problems and soft shower bottoms.



RESIDENTIAL & COMMERCIAL
Gelcoat, Acrylic & Solid Surface

THE 48 HOUR QUICK SHIP INVENTORY PROGRAM

FROM THE PRAXIS COMPANIES FEATURES:

- FOUR ADA COMPLIANT SHOWER MODELS (THREE GELCOAT AND ONE ACRYLIC).
- FACTORY INSTALLED ACCESSORIES TO MEET CODE.
- ALL FOUR ADA COMPLIANT SHOWER MODELS FEATURE THE PATENTED **Easy Base™** SHOWER BASE REINFORCEMENT.
- TWO RESIDENTIAL 60" SHOWERS INCLUDING THE FOUR-PIECE SECTIONAL.

**READY TO SHIP
WITHIN 48 HOURS.**



QSI 6334 BF .75

63" x 34" x 78-3/4"

White, Gelcoat fiberglass, accessorized to meet ADA/TAS Code Compliance for a Barrier Free Shower.

Standard, Ready-To-Ship Features:

- Easy Base™ leveled, shower bottom reinforcement
- Four inch classic tile pattern with diamond accent
- 3/4" 90 degree threshold recess/topping
- Two molded corner soap dishes
- One large molded leg ledge at seat level
- Textured floor
- One 1.25" CC white L-shaped grab bar
- Frameless HDPE FUS seat (complies with TAS)
- CC white curtain rod
- No caulk drain
- Wall construction with 1/2" tri-cell honeycomb reinforcement



QSI 3938 BF .625

40" x 39" x 81-1/2"

White, Gelcoat fiberglass, accessorized to meet ADA/TAS Code Compliance for a Barrier Free Shower.

Standard, Ready-To-Ship Features:

- Easy Base™ leveled, shower bottom reinforcement
- Six inch classic tile pattern with diamond accent
- 5/8" steel reinforced no-recessing barrier free threshold
- Self-trimming return flange
- Two molded corner soap dishes
- One molded leg ledge
- Textured floor
- One 1.25" CC white L-shaped grab bar
- Frameless HDPE FUS seat (complies with TAS)
- CC white curtain rod
- No caulk drain
- Wall construction with 1/2" tri-cell honeycomb reinforcement

**"Impact"
Weighted
Shower Curtain**

**White
Collapsible
Dam**





**Easy
Base**

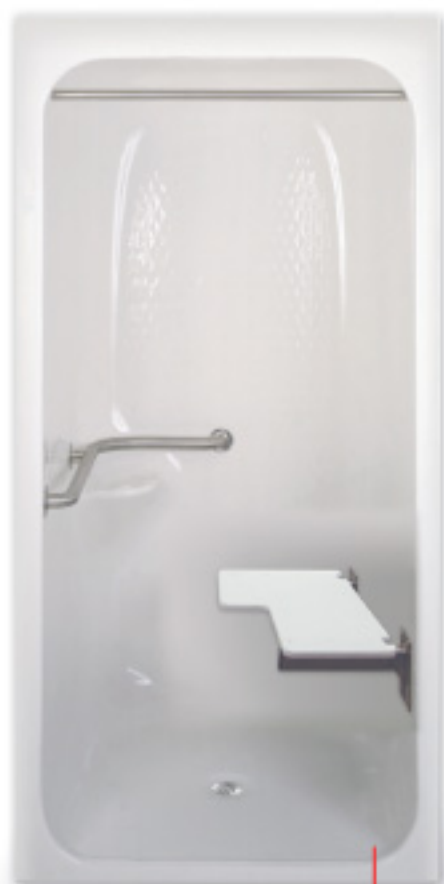
QSI 3698 BF .625

39" x 39-1/2" x 77"

White, Gelcoat fiberglass, accessorized to meet ADAAG Code Compliance for a Barrier Free Shower.

Standard, Ready-To-Ship Features:

- Easy Base™ leveled, shower bottom reinforcement
- Smooth wall gelcoat finish
- 5/8" steel reinforced no-recess barrier free threshold
- Standard straight nesting flange
- Two molded corner soap dishes
- Textured floor
- One 1.50" stainless steel L-shaped grab bar
- Frameless HDPE FUS seat
- CC white curtain rod
- No caulk drain
- Tall 77" walls
- Does not meet TAS



**Easy
Base**

QSI 4136 BF .875

41-1/4" x 36-1/4" x 78-1/4"

White, Resin Reinforced Acrylic surface, accessorized to meet ADAAG Code Compliance for a Barrier Free Shower.

Standard, Ready-To-Ship Features:

- Easy Base™ leveled, shower bottom reinforcement
- Diamond accent pattern on back wall
- 7/8" no-recess barrier free threshold
- One molded corner soap dishes
- Textured floor
- One 1.5" stainless steel L-shaped grab bar
- Frameless HDPE seat FUS
- stainless steel curtain rod
- No caulk drain
- Does not meet TAS

WATER RETAINMENT OPTIONAL ACCESSORIES:

The finest and most effective water retainment accessories in the industry.

Standard, Ready-To-Ship with your order Features:

- White Collapsible Dam with self-adhesive application and protective End Caps provide water spillage control along the length of threshold as well as the corners.
- Premium "Impact" weighted shower curtain, featuring anti-microbial, fire-retardant polyester fabric.



RESIDENTIAL & COMMERCIAL
Gelcoat, Acrylic & Solid Surface

Quick Ship

I N V E N T O R Y

Praxis Companies, LLC.

Aquarius Bathware • Comfort Designs • Hamilton Bathware

The innovative QSI 48 program from the Praxis Companies features:

- Two very popular Residential 60" showers
- Ready to ship or pick-up within 48 hours
- Excellent selection of factory installed accessories



QSI 6032 SH 4.0

60" x 33" x 77"

White, Gelcoat fiberglass, residential "Easy Living" shower

Standard, Ready-To-Ship Features:

- 4" low step threshold
- Integral soap and leg ledge
- Large 21" height integral seat
- Six inch classic tile pattern with diamond accent
- Mud set installation not required
- Textured floor
- One 1.25" CC white 24" grab bar
- No caulk drain
- Wall construction with 1/2" tri-cell honeycomb reinforcement
- Choice of LH or RH drain



QSI 6030 SHKD 4.0

60" x 31" x 78"

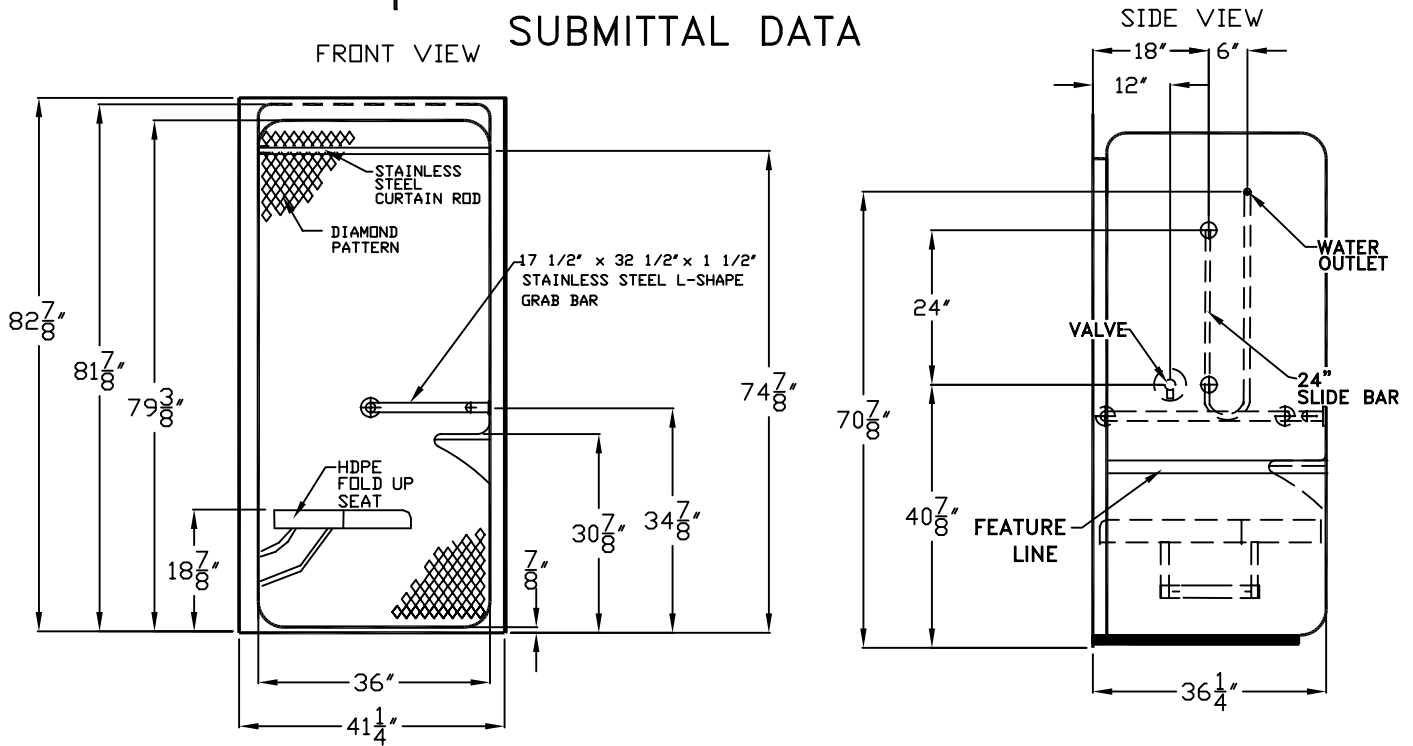
White, Gelcoat fiberglass, residential BATH Replacement (Remodeling Section)

Standard, Ready-To-Ship Features:

- Six inch classic tile pattern with diamond accent
- 4" low profile threshold
- Tall 78" walls
- Two molded corner soap dishes
- Reinforced walls for future seat installation
- Textured floor
- One 24" x 1.25" CC white grab bar
- Two 18" x 1.25" CC white grab bars
- No caulk drain
- Push Pin one-way fasteners provided
- Mud set installation required
- Choice of LH or RH drain

Special Needs Series

SUBMITTAL DATA



Transfer Shower Stall

This shower enclosure shall be Aquarius Model S 4136 BF. The unit shall be molded from a single sheet of acrylic so as not to have any seams or joints. It shall meet ANSI A117.1 and ANSI 124.2, shall have the backside fire rating of "A" and a flame spread of less than 25, shall be designed to meet ADA, FHA, HUD, BOCA, NAHB, UPC and shall meet the requirements of most state and national standards on design for the disabled including Southern Building Code. The unit shall have inside dimensions of 36" x 36" x 80 1/2" and the outside dimensions of 41 1/4" x 36 1/4" x 82 7/8".

The enclosure shall be equipped with the following factory installed accessories:
 1) one 17 1/2" x 32 1/2" x 1 1/2" diameter stainless steel, L-shape grab bar
 with 1 1/2" clearance statute, mounted with stainless steel bolts secured from the rear with 3" x 3", 11 gauge metal backing plates,
 2) 1" diameter 20 gauge stainless steel curtain rod,
 3) self caulking brass drain with chrome strainer,
 4) HDPE plastic fold up seat.
 5) 7/8" threshold for easy base,
 6) valve and handshower with 24" slide bar.

Warranty: 3 years when installed in accordance with manufacturers installation instructions.

Code Reference Listing: This model shall meet or exceed the following code listings when fully accessorized and installed according to each codes requirements: ANSI 124.2, HUD, BOCA, NAHB, UPC, the Southern Building Code, ADA, & ANSI 117.1.

Installation Requirements: A 10' core drill or molded voids in slab/sub-floor surface a 1/2" deep are required to accept a natural drain slope of unit. A non-shrinking thin set bedding slurry is required for standard installation. Caulk all seams with silicone. See Installation Instruction packet for further details.

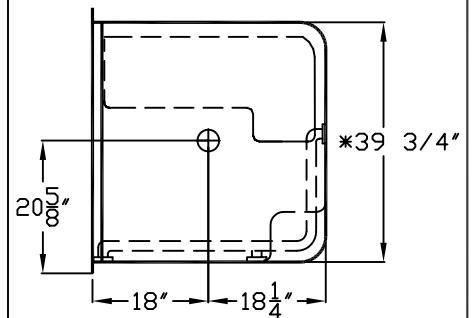
Acceptance: Sending a Quick Ship purchase order form with this designated model # will be considered automatic acceptance of this unit drawing configuration.

Hand: Determined by drain location.

Required: This option substantially reduces the degree of difficulty & labor usually to mudset a barrier free shower. Reduce the risk of inconsistent installations resulting in poor damage or soft floors. Downsize from full base mudset to a 10' area encompassing the drain. Alt. Installation Instructions Required see packet for details.

NOTE: EACH SIDE WALL CONTAINS A FEATURE LINE FROM 30" TO 32" HORIZONTAL. THIS FEATURE LINE OFFSETS 3/8" FROM THE SIDE WALL IN PLUMBING PLANS ENSURE THIS WILL NOT INTERFERE WITH VALVE AND PLUMBING PLACEMENT.

NOTE: DOES NOT MEET TAS, SEE QSI4136BF.5



ROUGH IN DIMENSIONS FOR UNITS WITHOUT SEAT FEATURED: 38 1/4" x 37 1/4" x 82 3/4"
 ROUGH IN DIMENSIONS FOR UNITS FEATURING A MOLDED SEAT: 38" x 37 1/4" x 82 3/4"
 ROUGH IN DIMENSIONS FOR UNITS FEATURING A FOLD UP SEAT: 39 3/4" x 37 1/4" x 82 3/4"

* NOTE: THIS DIMENSION IS NOT TO SCALE. THIS DIMENSION INCLUDES NUTS/BOLTS, WOOD AND HARDWARE REQUIRED FOR ASSEMBLY. OFFSET THE 39 3/4", 1/2" TOWARDS THE FOLD UP SEAT SIDE TO ALLOW FOR THE BOARD.

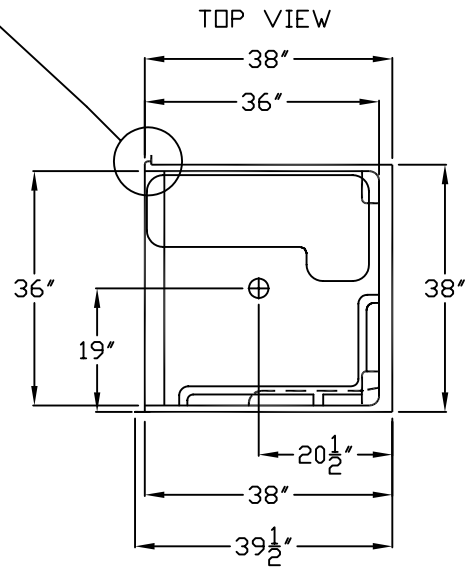
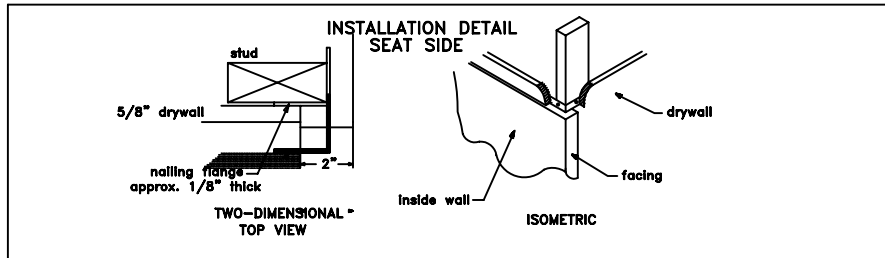
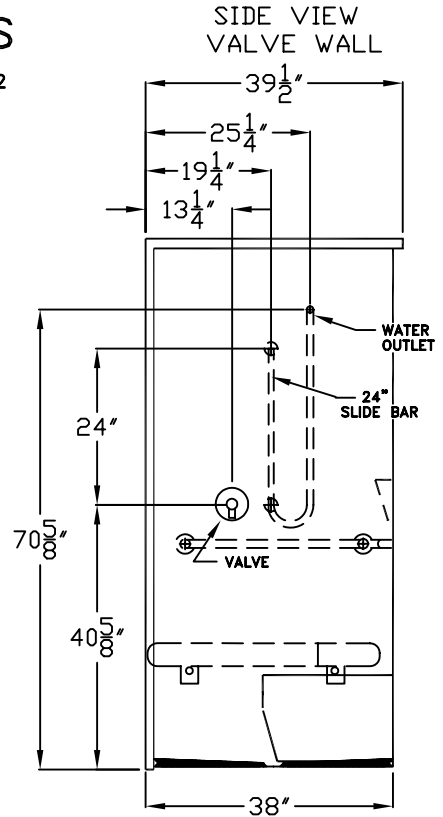
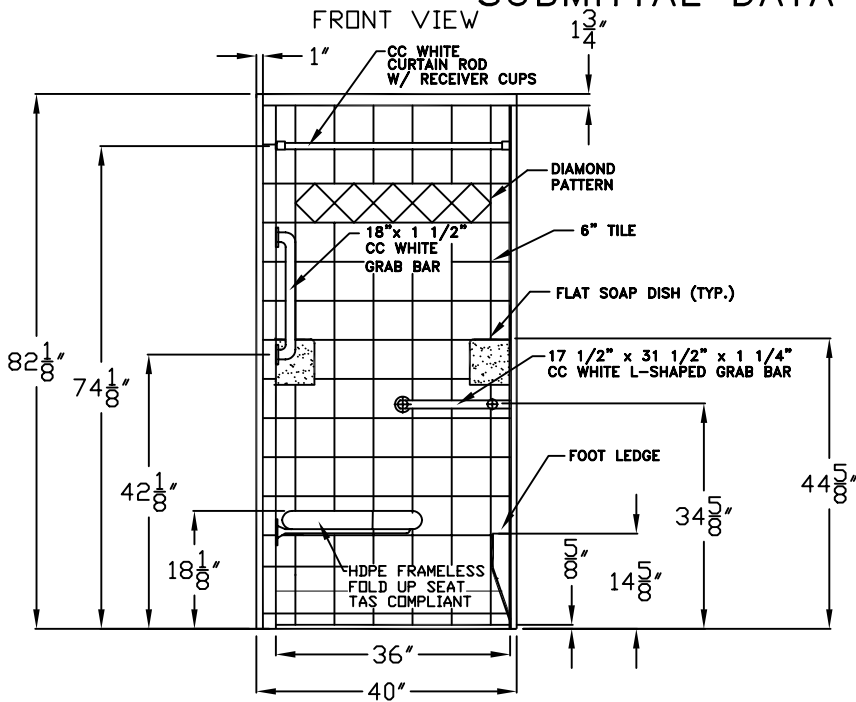
DUE TO THE NATURE OF THE MATERIALS INVOLVED, UNIT DIMENSIONS MAY VARY ± 1/2 INCH.

Job Name:		AQUARIUS	
Model No.: QSI4136BF MODIFIED WITH AN HDPE PLASTIC FOLD UP SEAT, VALVE & HANDSHOWER KIT, & 7/8" THRESHOLD.		Drawing#: QSI4136BF1	
Approved by:	Date Approved:	Date: 7-17-96	Revised: 1-31-06
Rep.:	Wholesaler:	Quote No.:	

PRAXIS INDUSTRIES, LLC.
 435 INDUSTRIAL RD - SAVANNAH, TN 38372
 1 (800) 443-7269 - FAX (731) 925-4290

Comfort Series

SUBMITTAL DATA © 2002

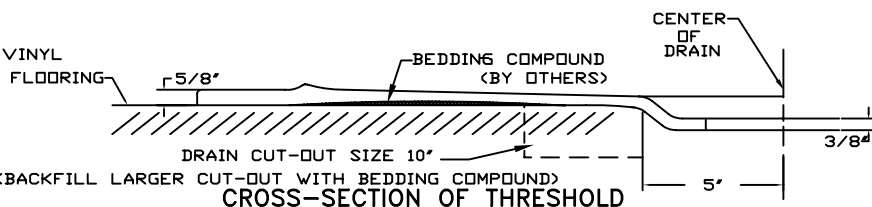


Transfer Shower Stall

The shower enclosure shall be Comfort Designs Model QSI3938BFADA.625 right or left. Finished surface shall be of a sanitary-grade polyester Gelcoat exhibiting a minimal thickness of 15 dry mils and a finished cured Barcol hardness of 80-90 as tested with ASTM D-2583. Unit construction shall be of molded reinforced fiberglass with a 15% minimum fiberglass content. The unit shall have outside dimensions of 40' x 39 1/2' x 82'. The base shall be attached to the sump of the unit in such a manner to form an integral part with an inner and outer coating of reinforced polyester resin. The unit shall meet ANSI 117.1, ANSI 124.2, ADA, TAS, HUD, BOCA, NAHB, UPC, and shall meet the requirements of Southern Building Code.

- The enclosure shall be equipped with the following installed accessories:
- 1) one 17 1/2" x 31 1/2" x CC white L-bar 1 1/4" diameter, mounted with stainless steel bolts and secured from the rear with a 3' x 3' x 11 gauge metal mounting plate,
 - 2) 5/8" threshold for easy base,
 - 3) Frameless HDPE fold up seat,
 - 4) molded soap dishes,
 - 5) drywall receiver flange on the seat side,
 - 6) lower molded leg ledge on valve wall,
 - 7) tile finish,
 - 8) CC white curtain rod with receiver cups,
 - 9) valve and handshower with 24" slide bar.

NOTE: THIS UNIT WILL NOT EXCEPT A SHOWER DOOR

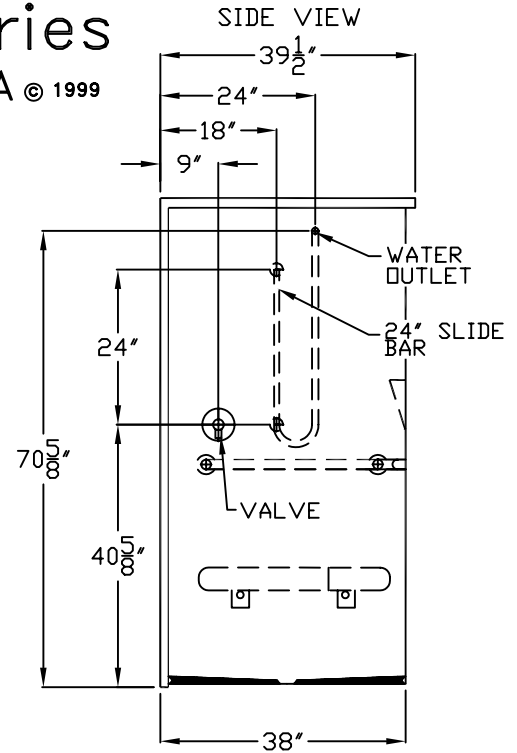
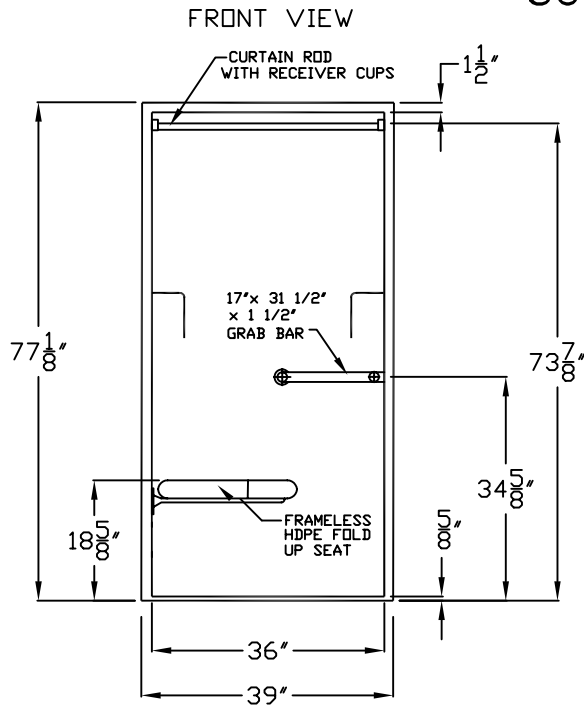


COMFORT DESIGNS

Job:	
Quote #:	Drawing#: QSI3938BF1
Date: 9-14-99 Revised: 4-27-06	

Comfort Series

SUBMITTAL DATA © 1999



Accessible Shower Stall

The shower enclosure shall be Comfort Designs Model QSI3698BFADA.625 right or left. Finished surface shall be of a sanitary-grade polyester Gelcoat exhibiting a minimal thickness of 15 dry mils, and a finished cured Barcol hardness of 80-90 as tested with ASTM D-2583. Unit construction shall be of molded reinforced fiberglass with a 15% minimum fiberglass content. The unit shall have outside dimensions of 39" x 39 1/2" x 77 1/8". The base shall be attached to the sump of the unit in such a manner to form and integral part with an inner and outer coating of reinforced polyester resin. The unit shall meet ANSI 117.1, ANSI 124.2, ADA, HUD, BOCA, NAHB, UPC, and shall meet the requirements of Southern Building Code.

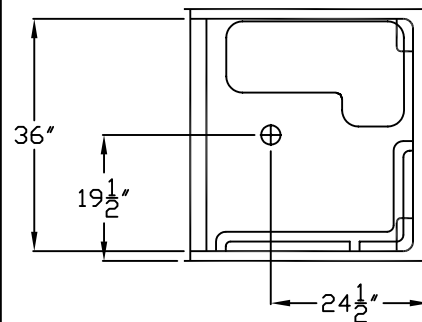
The enclosure shall be equipped with the following installed accessories:

- 1) one 17" x 31 1/2" L bar x 1 1/2" diameter, 18 gauge grab bars with 1 1/2" statute clearance, mounted with stainless steel bolts and secured from the rear with a 3" x 3" x 11 gauge metal mounting plate,
- 2) 1" diameter 20 gauge curtain rod with receiver cups,
- 3) molded soap dish,
- 4) fold up seat,
- 5) Caulkless shower drain,
- 6) 5/8" threshold for easy base,
- 7) valve and handshower with 24" slide bar.

Available Options: 1) Hand held shower set (Includes: hand set, 60" flex hose, swivel connector, vacuum breaker, brass nipple, locknut, wall brackets and shower wall outlet), 2) Factory installed fold up seat, 3) 24" or 30" slide bar, 4) Pressure balance valve, 5) Green shower curtain, anti-bacterial, and hooks, 6) White shower curtain and hooks.

NOTE: THIS UNIT WILL NOT ACCEPT A DOOR!

TOP VIEW



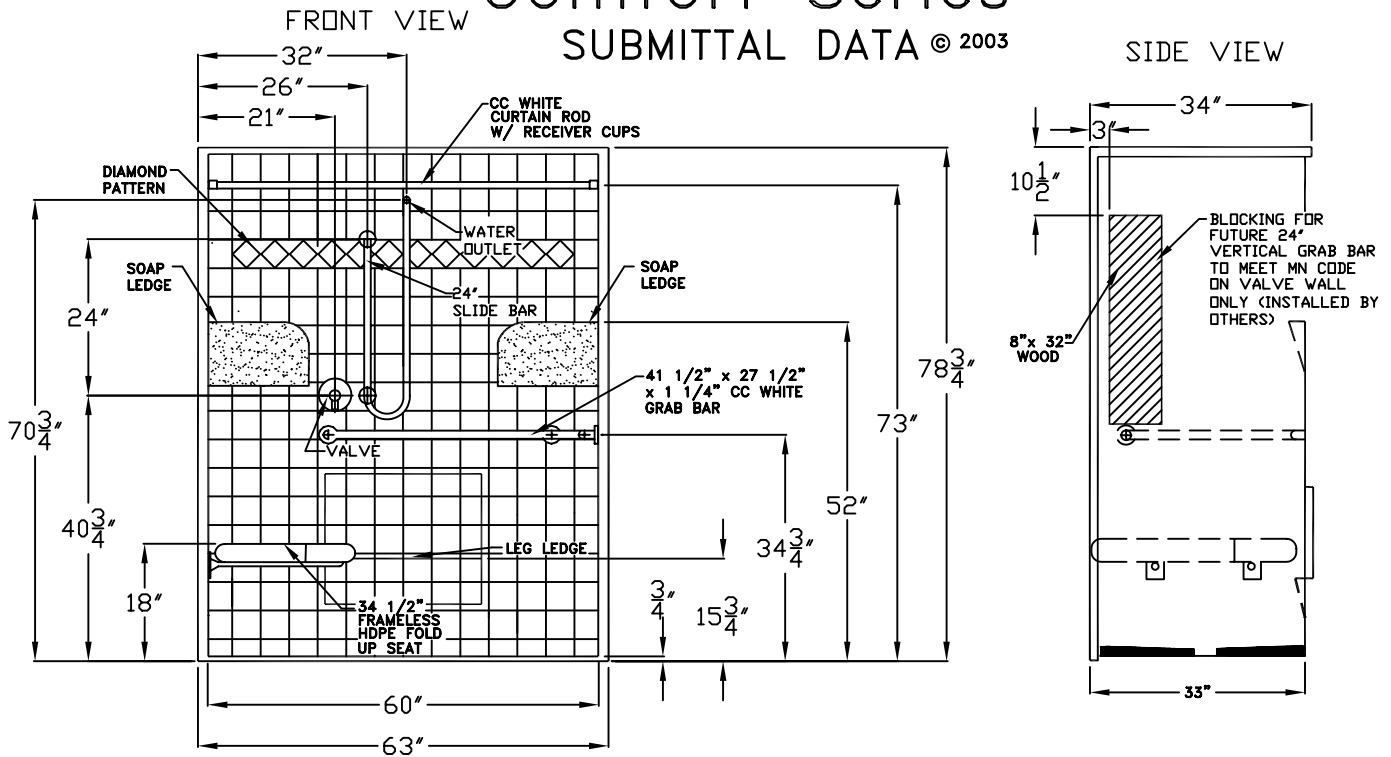
DUE TO THE NATURE OF THE MATERIALS
DIMENSIONS MAY VARY ± 1/2"

COMFORT DESIGNS

Quote No.:	Drawing#: QSI3698BF2
Date: 7-13-00	Revised: 4-12-06
Job Name:	

Comfort Series

SUBMITTAL DATA © 2003



Roll-In Shower Stall

The shower enclosure shall be Comfort Designs Model QSI6334BFADA.75 center, right or left. Finished surface shall be of a sanitary-grade polyester Delcoat exhibiting a minimal thickness of 15 dry mils, and a finished cured Barcol hardness of 80-90 as tested with ASTM D-2583. Unit construction shall be of molded reinforced fiberglass with a 15% minimum fiberglass content. The unit shall have outside dimensions of 63" x 34" x 78 3/4". The base shall be attached to the sump of the unit in such a manner to form an integral part with an inner and outer coating of reinforced polyester resin. The unit shall meet ANSI 117.1, ANSI 124.2, ADA, HUD, BOCA, NAHB, UPC, TAS and shall meet the requirements of Southern Building Code.

The enclosure shall be equipped with the following installed accessories:

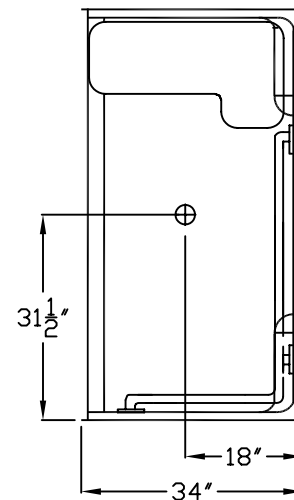
- 1) one 41 1/2" x 27 1/2" x 1 1/4" diameter, 18 gauge stainless steel grab bar with 1 1/2" statute clearance, mounted with stainless steel bolts and secured from the rear with a 3' x 3' 11 gauge metal mounting plate,
- 2) factory installed frameless HDPE fold up seat,
- 3) molded soap ledges,
- 4) molded leg ledge,
- 5) tile finish,
- 6) blocking for future grab bar,
- 7) 3/4" threshold,
- 8) valve and handshower with 24" slide bar,
- 9) white curtain rod w/ receiver cups.

THIS UNIT FEATURES THE OUTSIDE DIMENSIONS OF 63" OF OVERALL WIDTH. THIS DOES NOT ALLOW FOR FULL ENCLOSURE OF THE BOLTS THAT ARE USED TO SECURE THE BARS AND SEAT IN PLACE. THE BOLT AND NUT COMBINATION SHOULD NOT PROTRUDE ANY MORE THAN 3/4" ON EITHER SIDE.

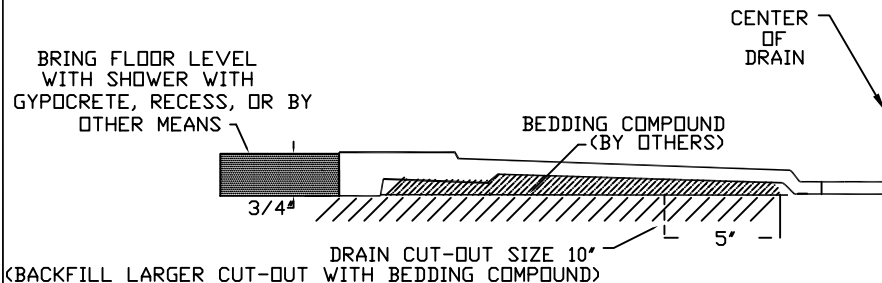
THIS SHOULD NOT CREATE ANY TYPE OF INSTALLATION PROBLEMS EXCEPT FOR A DRY WALL ENCLOSED FIRE WALL INSTALLATION AREA THAT WOULD NOT ALLOW FOR ANY VARIATIONS. IN A STANDARD STUD/ OPENING INSTALLATION THE EXTENSION OF THE HARDWARE SHOULD NOT CAUSE ANY TYPE OF PROBLEM.

NOTE: THIS UNIT WILL NOT ACCEPT A DOOR!

TOP VIEW



Model
QSI6334.75



DUE TO THE NATURE OF THE MATERIALS DIMENSIONS MAY VARY ± 1/2"

COMFORT DESIGNS

Drawing#: QSI6334BF1

Date: 7-16-99 Revised: 4-27-06

Quote No.:

COMFORT DESIGNS

435 INDUSTRIAL RD - SAVANNAH, TN 38372

(800) 801-2820 - FAX (731) 925-6430 - E-MAIL: comfortdesigns@aol.com

Recyclable Paper