

PRAXIS

TWO AND THREE PIECE

INSTALLATION INSTRUCTIONS

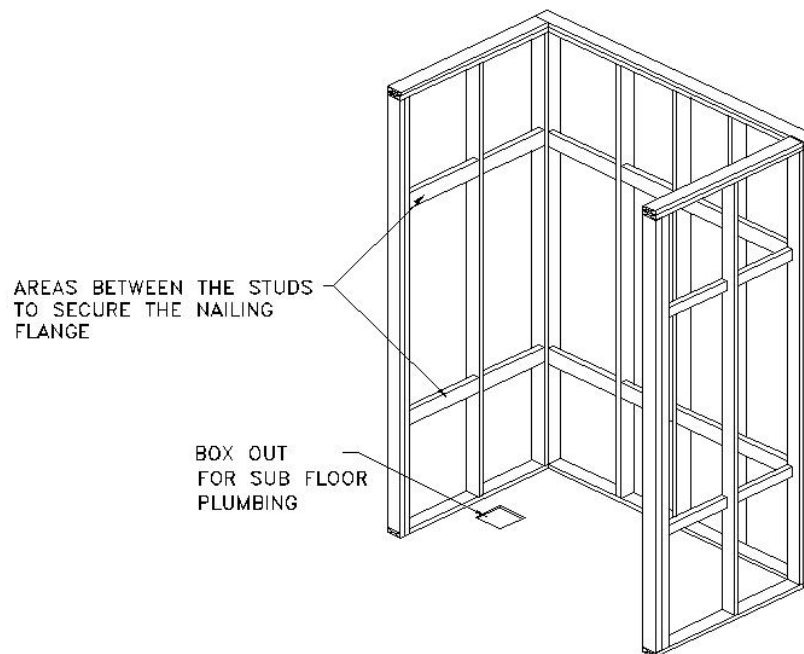
ITEMS NEEDED:

- 1) 6D GALVANIZED SCREWS
- 2) SILICONE
- 3) (4) 1 ½" x 1 ½" x 3" WOODEN BLOCKS
- 4) SHIMS
- 5) TAPE

SITE PREPARATION:

1. Plastic fasteners are included in the packaging of the sectional shower you have purchased. Keep those handy, as they will be necessary during installation.
2. Measure the area intended for installation to insure that the unit is the correct hand and size for the area. Once this is confirmed remove the nuts and screws used to hold the sections together, as well as other packing material from the bathing unit.
3. Complete framing. Always have a framing member behind each flange. (Horizontal between vertical studs as well.)

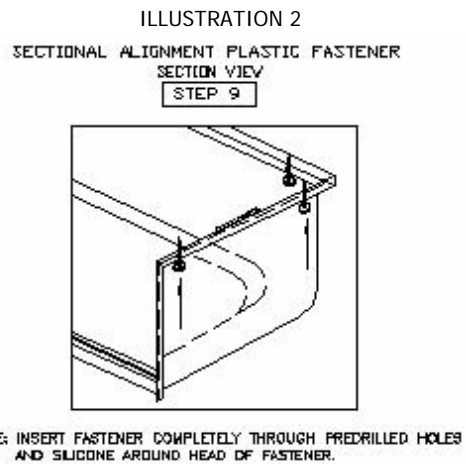
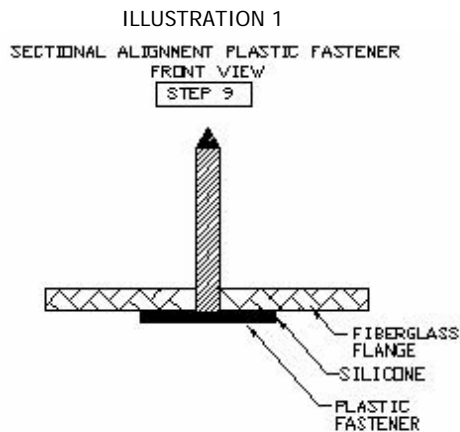
GELCOAT FRAMING INSTRUCTIONS



4. Insure framing is plumb and square.
5. A 5" diameter opening in the floor should be provided for all units to permit clearance for 2" IPS and drain. Other avenues must be taken on barrier free units. This is noted in the barrier free installation instructions.

UNIT PREPARATION:

6. Prepare & align drain connections insuring proper resizing of drain connection if required to match shower unit. No-caulk drains are recommended.
7. Place cardboard inside of the unit as a mat while working inside of unit. Working from inside of finished side of unit, using proper hole saw, cut holes for supply lines and showerhead.
8. The plastic fasteners provided are intended to be inserted through the holes on the base to stabilize the wall. For *three and four piece units*, the plastic fasteners are also intended to insert from one wall to another for stabilization. On the vertical seam, from the front of the unit the plastic fastener must be installed left to right.
9. Apply a bead of silicone to the inside head of the plastic fasteners. Insert the plastic fasteners in the holes on the base ledge coming in from the bottom (outside) and pushing them upward so they point toward the ceiling. (AS SHOWN IN ILLUSTRATION 1 AND 2) The head and silicone should make contact to the bottom ledge of the base. For three piece units, after applying the silicone to the head of the plastic fasteners for the walls, insert them from the backside through the holes in the vertical seams on the left wall (the wall to the left if you are standing in front of an installed unit) so they are facing the right and the heads of them are pressed firmly to the backside of the flanges. For four piece units, after applying the silicone to the head of the plastic fasteners for the walls, insert them on the two front vertical flanges of the back wall. These fasteners will be inserted from the backside and pressed through until the head of the fasteners fully contact the flanges. The fasteners will then be facing out towards the front of the shower.



BASE INSTALLATION:

10. **Set Base:** Place the bottom of the unit into position. Level and plumb the base unit. Shim under the back leg of the unit and secure the shim. (AS SHOWN IN ILLUSTRATION 6) Fasten the shower base using 6D-galvanized screws to the framing members on 8" centers vertically and on 16" centers horizontally around the top. An adhesive should be applied to the bottom of the shim to permanently secure it in place when shimming on concrete. When shimming on wooden floors, nail the shim in place to prevent movement. A minimum of two shims should be used on each unit to insure proper support and a solid base.
11. The silicone at the head of the fasteners should be allowed time to dry.
12. **Set Wood Blocks:** Using 4 wooden blocks and tape, place two wooden blocks on the back ledge, each being ¼ of the distance from each side and one on each side at the midpoint. Lightly tape the wooden blocks into place. They will be used to temporarily space the wall above the base while it is being placed. (AS SHOWN IN ILLUSTRATION 3)
13. **Seal inner flange area:** Place a continuous bead of silicone (AS SHOWN IN ILLUSTRATION 4) on the base between the inside edge of the base and the holes. For *three and four piece units*, apply a continuous bead of silicone up the vertical seam between the holes for the fasteners and the front or inside edge of the wall.

ILLUSTRATION 3

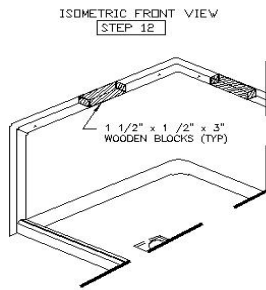
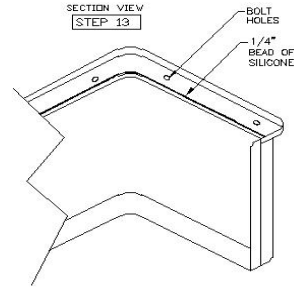


ILLUSTRATION 4



WALL INSTALLATION:

14. **Set Walls:** Place the wall/walls on top of the wooden blocks. One by one remove the back two wooden blocks taking care to align the plastic fasteners into the holes drilled on the underside of the wall. Repeat the process for the two sides. For *three-piece units*, place the left wall on the base resting it on the wooden blocks and lightly clamp it in the framing members to hold it in place. Place the other wall on the other two wooden blocks and slide it towards the other wall. Take care to maintain an alignment of the plastic fasteners into and through the receiving holes on the opposite wall. Press the two walls together closing the seam and compressing the silicone between the two walls for a “water tight” fit. The alignment of Control wall penetration holes may make it difficult or impossible to align vertical plastic fasteners on the base. If alignment is not achievable, snip or remove base fasteners only to slide wall into place. Level & secure by fastening top and side nailing (shim if required) flanges to studs.

For **four-piece units**, after placing the back wall on the wood blocks and temporarily clamping it, guide & press sidewall (opposite controls) to the back wall creating a tight vertical seam. Align plastic fasteners with holes in walls, at the same time you lower back wall & non-control side-wall onto base. Press the shower wall down firmly onto the base of the shower insuring that the plastic fasteners pass through the holes on the wall. Note: This usually requires more than one person. Level & secure by fastening top and side nailing flanges to studs using 6D-galvanized screws to the framing members on 8" centers vertically and on 16" centers horizontally around the top. Locate supply lines and showerhead; create cardboard template and mark unit for all penetrations. After rechecking marks, drill 1/4" pilot holes prior to hole saw cuts. Apply duck tape to protect finish from chipping. Guide & press control sidewall to the back wall creating a tight vertical seam. The alignment of Control wall penetration holes may make it difficult or impossible to align vertical plastic fasteners on the base. If alignment is not achievable, snip or remove base fasteners only to slide wall into place. Level & secure by fastening top and side nailing (shim if required) flanges to studs. Silicone all seams on the front side with a smooth continuous bead to prevent leakage. After application, smooth the bead for an adequate finish. Note: The additional step of taping off seams using blue painters tape is highly recommended for a visually pleasing caulk joint and easier clean up.

ILLUSTRATION 5
SECTIONAL ALIGNMENT
ISOMETRIC FRONT VIEW
STEP 14

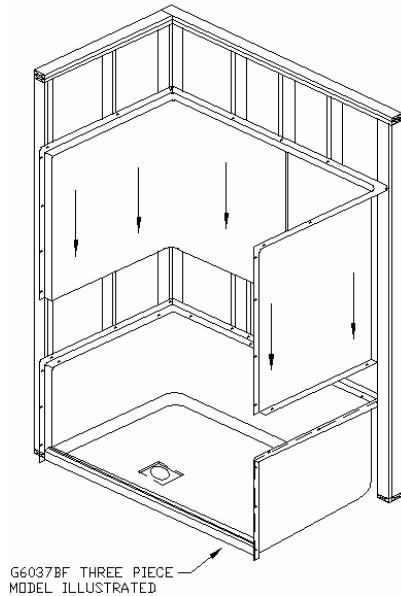
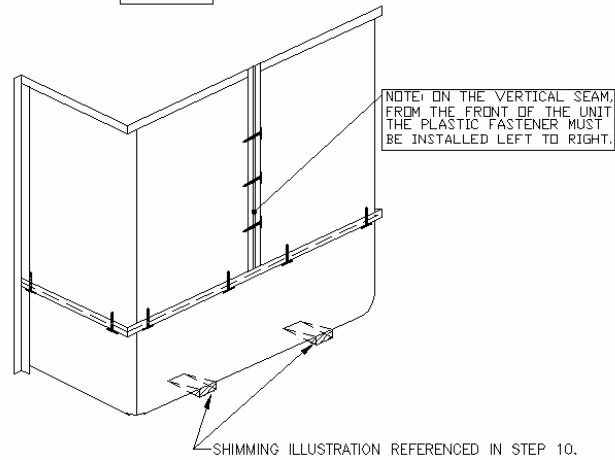


ILLUSTRATION 6

SECTIONAL ALIGNMENT PLASTIC FASTENER
ISOMETRIC BACK VIEW
STEP 15



15. **Three piece Units:** Fasten the shower wall using 6D-galvanized screws to the framing members on 8" centers vertically and on 16" centers horizontally around the top. Proceed with plumbing hook ups. Water test all connections before enclosing behind the unit.
16. Silicone all seams on the front side with a smooth continuous bead. After application, moisten a finger and smooth the bead for an adequate finish.
17. For three-piece units, place the bead of silicone up the vertical seam to prevent leakage.
** "Additional information for barrier free product"
18. For barrier free units, refer to the barrier free installation instructions for the proper installation procedure for the floor of the unit. This procedure must be put into practice before the unit is set into place.

INSTALLATION OF GRAB BARS AND SHOWER RODS:

19. For *three and four piece units* that have grab bars that secure across a seam, exercise the following practices: a) remove the curtain rod b) for units with an I-bar that secure twice on one wall and once on the other wall across the seam, place the wall that only has the one installation point on the bottom and secure it. Place the other wall into position. As it is being installed, place silicone around the hole on the inside and backside and put the through bolt into the hole on the first wall. Place the 3" x 3" plate around the bolt and tighten up the nut. Be careful not to over tighten. Reinstall the curtain rod using grommets. Secure the backside of the curtain rod with liquid nails c) for units with U-wrap bars, take the bar from both walls and install both walls. Place silicone around the holes where the bar installs and also around the holes on the backside of the unit. Put the bar into place. Run the bolts through the holes and secure them from the back using both the 3" x 3" metal plate and the nut provided. Do not over tighten. Reinstall the curtain rod using the grommet provided. Secure the backside of the curtain rod with liquid nail.