

XST6437BFADA.75
 LH SEAT SHOWN
 SUBMITTAL DATA
PREPACKAGED MODEL 64378



STANDARD FEATURES



OD: 63" x 38 1/2" x 80 3/4"
 ID: 60" x 36 1/2"

Weight: TBD
 Material: Gel-coat

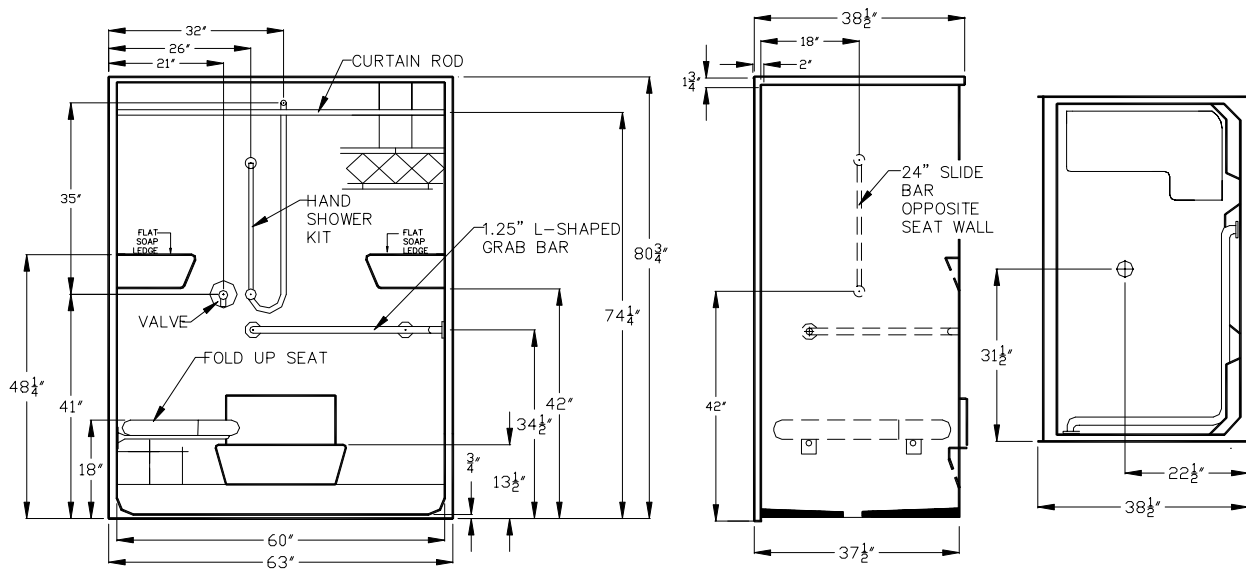
- 6" smooth tile with diamond accent, gel-coat finish
- 3/4" change of level threshold (1/4" finished flooring required)
- Tall 80 3/4" splash guard walls
- Walls constructed with 1/2" tri-cell honeycomb
- 2 molded corner soap dishes
- 1 large molded soap ledge at seat level
- Textured floor

Technical data & Accessory selections on back

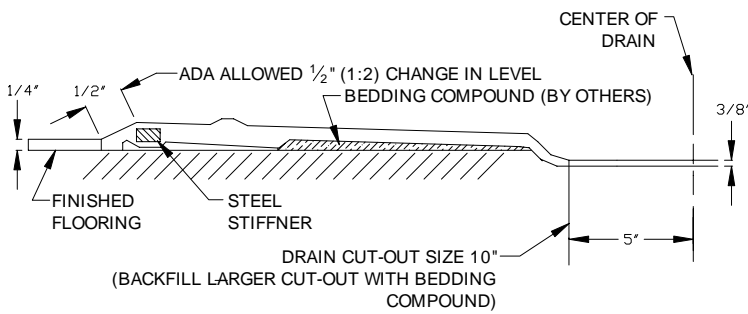
Note:

Do not rough in for shower valve until unit is received & in place
 Due to the nature of materials, dimensions may vary +/- 1/2"
 This unit can not accept a shower door

This photo does not reflect this "prepackaged model" accessory configuration.



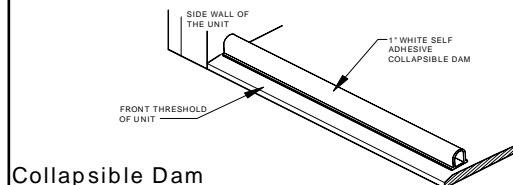
Cross Section of Threshold



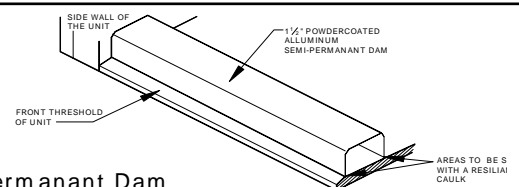
Note: This threshold drawing is not to scale

(SEE INSTALLATION PACKET FOR FURTHER IMPORTANT DETAILS)

Water Retainage Options



Collapsible Dam



Semi-permanent Dam

ACCESSORY OPTIONS

Grab bar:

- 1 1/4" OD Comfort Care white
- 1 1/4" OD Comfort Care Bone
- 1 1/4" OD Stainless Steel
- Other: _____

Seat:

- Frameless Padded Naugahyde
- Frameless Phenolic wood slat
- Frameless HDP (High density plastic)
- Seat with Powder coated frame
- Other: _____

Curtain Rod:

- Comfort Care white
- Comfort Care bone
- Stainless Steel
- Other: _____

Finish Options:

- Max-guard anti-bacterial protection
- Century Stone Color _____
- "Blue Coated" protective coating spray

Valve Package:

- Symmon's BP-X Pressure Balanced Valve
- Power's 905H Pressure Balanced Valve
- Moen 8350 Pressure Balanced Valve

Hand Held Shower Kit Includes:

- Hansgrohe/Alson's hand shower, (2) 24" slide guides, vacuum breaker, supply elbow, & hose

Water Retainment Accessory Options Shipped loose:

- White self adhesive collapsible dam
- 1 1/2" white semi-permanent dam
- Heavy weighted curtain & hooks
- No caulk shower drain

Gel-coat color options:

- White
- Bone
- Biscuit/Linen
- Other: _____

Comments: _____

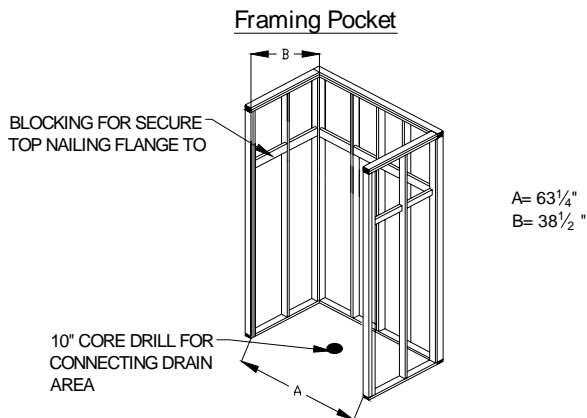
COORDINATION

Installation Requirements

"No Recess Necessary" units are designed to be installed directly on the sub-floor surface. A 10" core drill or molded voids in slab or sub-floor surface 1/2" deep are required to accept a natural drain slope of unit. A non-shrinking thin set bedding slurry is required for standard installation. See Installation Instruction packet for further details.

OPTION The "Self Leveling Base" Patent Pending. This option eliminates the need for labor materials (slurry mix) and extra time that's usually required during the normal mud set installation.

THE FLOOR OF THIS SHOWER UNIT IS SELF-SUSTAINING. ONCE SET IN PLACE, THE SHOWER WITH THIS OPTION MAY ONLY NEED TO BE SHIMMED. Refer to the installation instructions for further details. Subject to availability.



OTHER IMPORTANT INFO

Warranty: 3 years when installed in accordance with manufacturers installation instructions.

Code Reference Listing

This model shall meet or exceed the following code listings when fully accessorized and installed according to each codes requirements.

- | | | | | | |
|---------------|-----------|-------|------|---------|------------------------|
| ICC/ANSI117.1 | ANSI124.2 | ADAAG | BOCA | NAHBUPC | Southern Building Code |
|---------------|-----------|-------|------|---------|------------------------|

JOB INFO

Job Name: _____

Date: _____

Approved by: _____ (Print) _____ (Signature)

Quantity: RH LH (According to seat wall) Drawing # XST64378 Revised 3-16-04

Wholesaler: _____

Architect: _____

Note: By signing this factory submittal sign-off drawing you are agreeing that the unit will be built according to your above selections and understand that you have to follow all instructions on page 1&2 of this drawing. PO will reflect drawing.