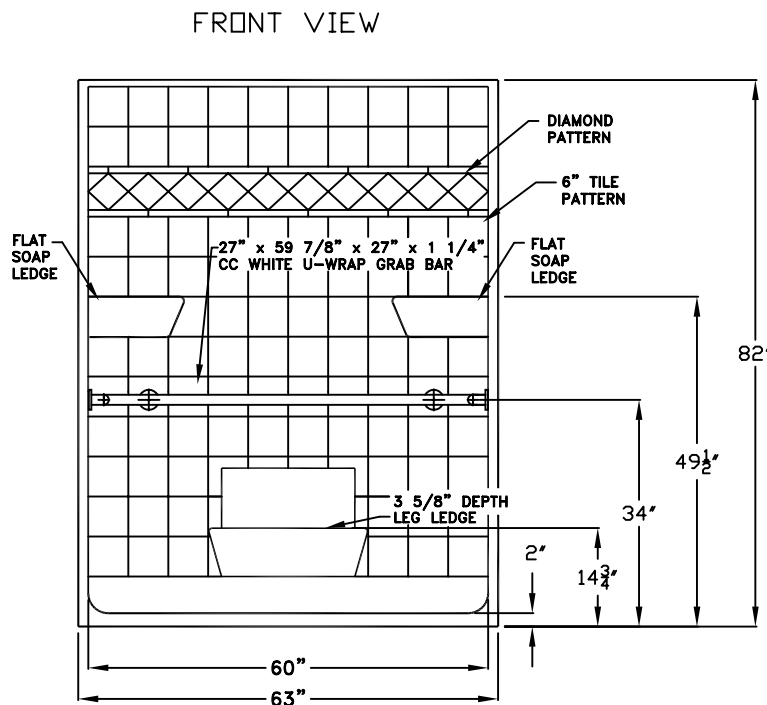
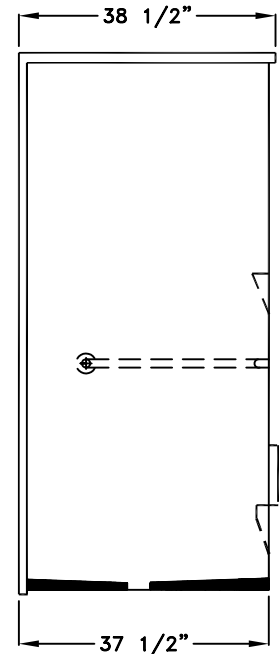


Comfort Series

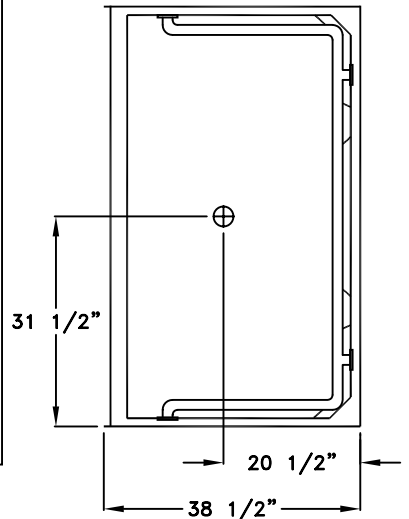
For Dimensional Purposes Only



SIDE VIEW



TOP VIEW



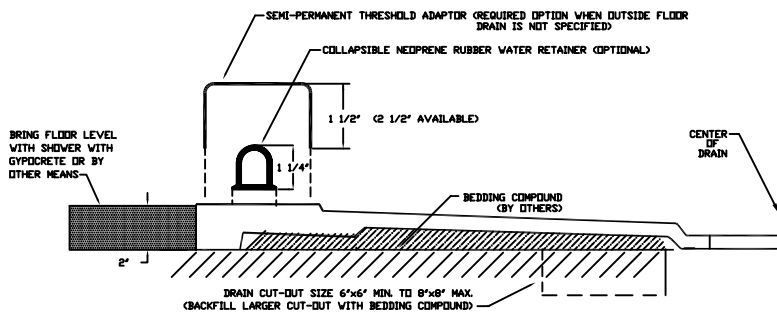
Roll-In Shower Stall

The shower enclosure shall be Comfort Designs Model XST6337BF2.00 center, right or left. Finished surface shall be of a sanitary-grade polyester Delcoat exhibiting a minimal thickness of 15 dry mils, and a finished cured Barcol hardness of 80-90 as tested with ASTM D-2583. Unit construction shall be of molded reinforced fiberglass with a 15% minimum fiberglass content. The unit shall have outside dimensions of 63" x 38 1/2" x 82". The base shall be attached to the sump of the unit in such a manner to form an integral part with an inner and outer coating of reinforced polyester resin. The unit shall meet ANSI 124.2, HUD, BOCA, NAHB, UPC, and shall meet the requirements of Southern Building Code.

The enclosure shall be equipped with the following installed accessories:
 1) one 27" x 59 7/8" x 27" x 1 1/4" diameter, Comfort Care white grab bar with 1 1/2" statute clearance, mounted with stainless steel bolts and secured from the rear with a 3" x 3" 11 gauge metal mounting plate, 2) molded soap ledges, 3) molded leg ledge, 4) tile finish.

THIS UNIT FEATURES THE OUTSIDE DIMENSIONS OF 63" OF OVERALL WIDTH. THIS DOES NOT ALLOW FOR FULL ENCLOSURE OF THE BOLTS THAT ARE USED TO SECURE THE BARS AND SEAT IN PLACE. THE BOLT AND NUT COMBINATION SHOULD NOT PROTRUDE ANY MORE THAN 3/4" ON EITHER SIDE.

THIS SHOULD NOT CREATE ANY TYPE OF INSTALLATION PROBLEMS EXCEPT FOR A DRY WALL ENCLOSED FIRE WALL INSTALLATION AREA THAT WOULD NOT ALLOW FOR ANY VARIATIONS. IN A STANDARD STUD/OPENING INSTALLATION THE EXTENSION OF THE HARDWARE SHOULD NOT CAUSE ANY TYPE OF PROBLEM.



COMFORT DESIGNS

Quote No.:	Drawing#:XS6337B
Date: 2-7-00	Revised: 2-28-01
Job:	