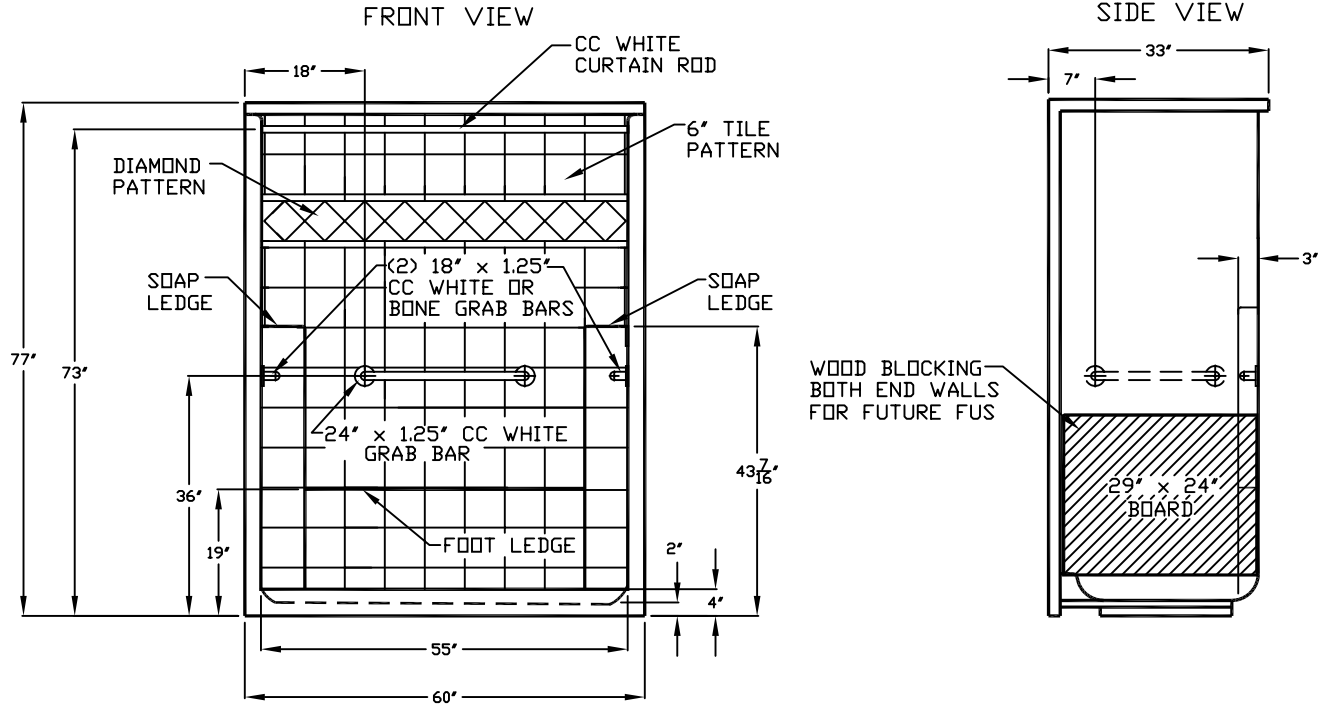


"Easy Living Series" FOR DIMENSIONAL PURPOSES ONLY



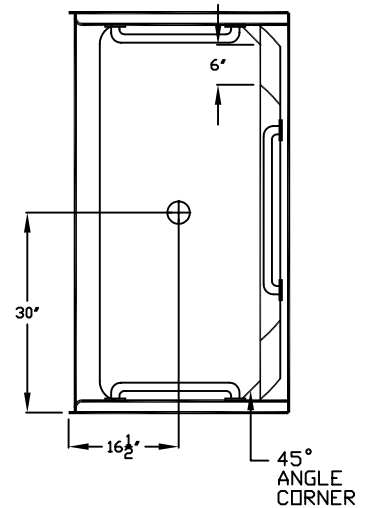
ACCESSIBLE SHOWER STALL

The shower enclosure shall be Comfort Designs Model XST6033SH4 center. Finished surface shall be of a sanitary-grade polyester Gelcoat exhibiting a minimal thickness of 15 dry mils and a finished cured Barcol hardness of 80-90 as tested with ASTM D-2583. Unit construction shall be of molded reinforced fiberglass with a 15% minimum fiberglass content. The unit shall have outside dimensions of 60" x 33" x 77". The base shall be attached to the sump of the unit in such a manner to form an integral part with an inner and outer coating of reinforced polyester resin. The unit shall meet ANSI 124.2, BOCA, NAHB, UPC, and shall meet the requirements of Southern Building Code. The enclosure shall be equipped with the following installed accessories:
 1) 24" & (2) 18" x 1.25" CC white grab bars with 1 1/2" statute clearance, mounted with SS bolts & secured from the rear with a 3" x 3" x 11 gauge metal mounting plate, 2) 4" low fixed threshold, 3) Simulated tile walls, 4) CC white curtain rod, 5) blocking for future FUS.

THIS UNIT FEATURES THE OUTSIDE DIMENSIONS OF 60" OF OVERALL WIDTH. THIS DOES NOT ALLOW FOR FULL ENCLOSURE OF THE BOLTS THAT ARE USED TO SECURE THE BARS AND SEAT IN PLACE. THE BOLT AND NUT COMBINATION SHOULD NOT PROTRUDE ANY MORE THAN 3/4" ON EITHER SIDE.

THIS SHOULD NOT CREATE ANY TYPE OF INSTALLATION PROBLEMS EXCEPT FOR A DRY WALL ENCLOSED FIRE WALL INSTALLATION AREA THAT WOULD NOT ALLOW FOR ANY VARIATIONS. IN A STANDARD STUD / OPENING INSTALLATION THE EXTENSION OF THE HARDWARE SHOULD NOT CAUSE ANY TYPE OF PROBLEM.

TOP VIEW



DUE TO THE NATURE OF THE MATERIALS DIMENSIONS MAY VARY ± 1/2"

Job Name:		COMFORT DESIGNS	
Model No.: XST6033SH MODIFIED WITH ONE 24" x 1 1/4" & (2) 18" x 1 1/4" CC WHITE GRAB BARS, CC WHITE CURTAIN ROD, BLOCKING FOR FUTURE SEAT.		Drawing#: XST6033I	
Approved by:	Date Approved:	Date: 6-14-01	Revised: 9-8-03
Rep.:	Wholesaler:	Quote No.:	