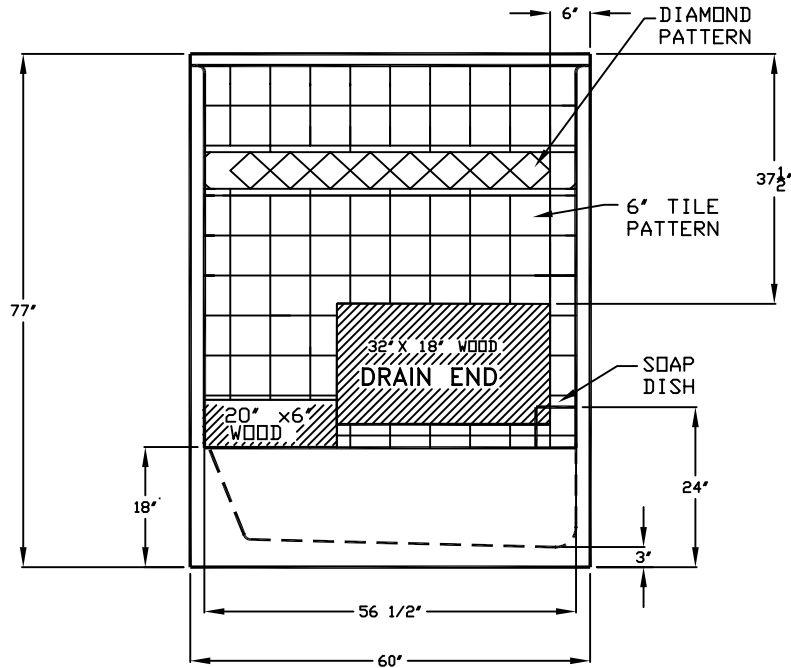


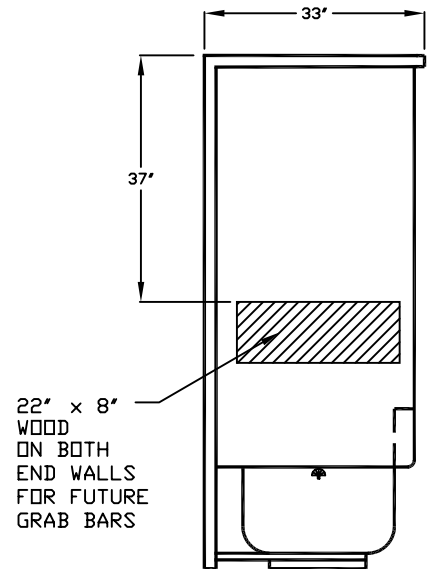
Comfort Series

For Dimensional Purposes Only

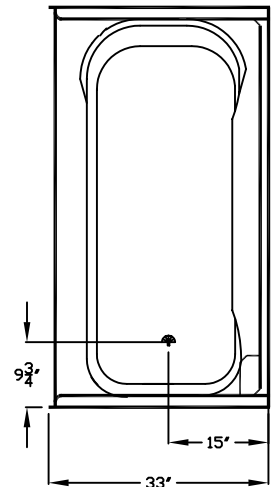
FRONT VIEW



SIDE VIEW



TOP VIEW



Accessible Tub/Shower

The tub/shower enclosure shall be Comfort Designs Model XST6032GTS right or left. Finished surface shall be of a sanitary-grade polyester Gelcoat exhibiting a minimal thickness of 15 dry mills and a finished cured Barcol hardness of 80-90 as tested with ASTM D-2583. Unit construction shall be of molded reinforced fiberglass with a 15% minimum fiberglass content. The unit shall have outside dimensions of 60" x 33" x 77". The base shall be attached to the sump of the unit in such a manner to form and integral part with an inner and outer coating of reinforced polyester resin. The unit shall meet ANSI 124.2, HUD, BOCA, NAHB, UPC, and shall meet the requirements of Southern Building Code.

The enclosure shall be equipped with the following installed accessories:
1) Blocking on all 3 walls for future grab bars, 2) tile finish, 3) molded soap ledge.

THIS UNIT FEATURES THE OUTSIDE DIMENSIONS OF 60" OF OVERALL WIDTH. THIS DOES NOT ALLOW FOR FULL ENCLOSURE OF THE BOLTS THAT ARE USED TO SECURE THE BARS AND SEAT IN PLACE. THE BOLT AND NUT COMBINATION SHOULD NOT PROTRUDE ANY MORE THAN 3/4" ON EITHER SIDE. THIS SHOULD NOT CREATE ANY TYPE OF INSTALLATION PROBLEMS EXCEPT FOR A DRY WALL ENCLOSED FIRE WALL INSTALLATION AREA THAT WOULD NOT ALLOW FOR ANY VARIATIONS. IN A STANDARD STUD /OPENING INSTALLATION THE EXTENSION OF THE HARDWARE SHOULD NOT CAUSE ANY TYPE OF PROBLEM.

NOTE: THIS UNIT DOES NOT MEET ADA LESS BARS & SEAT

DUE TO THE NATURE OF THE MATERIALS
DIMENSIONS MAY VARY ± 1/2"

Job Name:

COMFORT DESIGNS

Model No.: XST6032GTS STANDARD BACKING FOR FUTURE SEAT & GRAB BARS

Drawing#:XS6032TSAA

Approved by:

Date Approved:

Date: 1-27-00 Revised: 4-23-03

Rep.:

Wholesaler:

Quote No.:

COMFORT DESIGNS

Recyclable Paper

10700 SPRING RUN RD - CHESTER, VA 23832

(800) 801-2820 - FAX (804) 790-1364 - E-MAIL: comfortdesigns@comcast.net