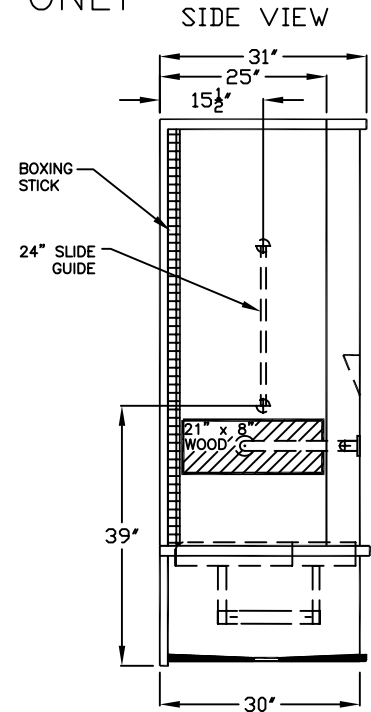
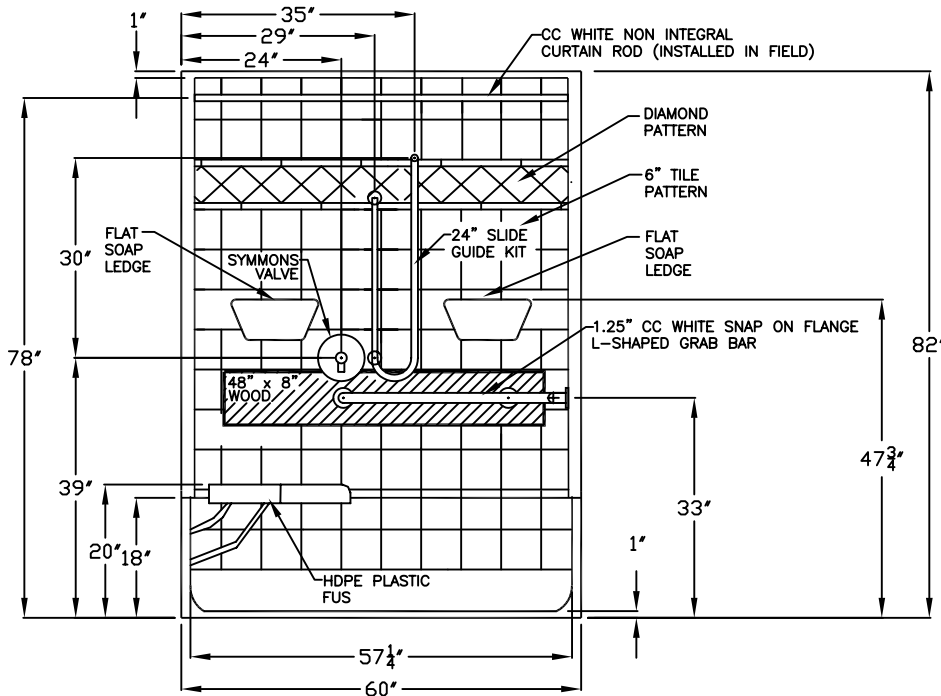


"Smart Fit" Sectional FOR DIMENSIONAL PURPOSES ONLY



Curbless Non-Recessing Shower Stall

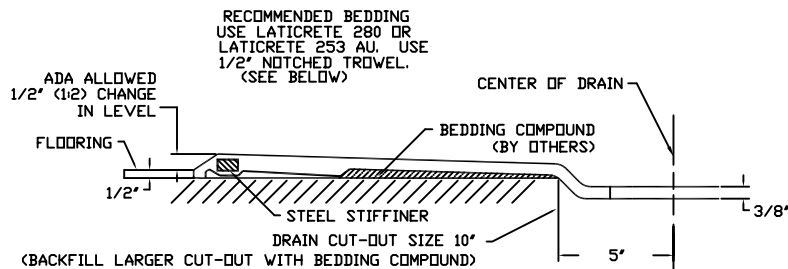
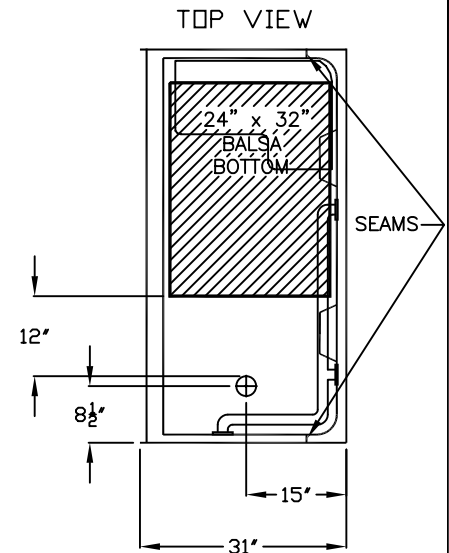
The shower enclosure shall be Comfort Designs Model XST6030BFKD1.0 center, right or left. Finished surface shall be of a sanitary-grade polyester gelcoat exhibiting a minimal thickness of 15 dry mils, and a finished cured Barcol hardness of 80-90 as tested with ASTM D-2583. Unit construction shall be of molded reinforced fiberglass with a 15% minimum fiberglass content. The unit shall have outside dimensions of 60" x 31" x 82". The base shall be attached to the sump of the unit in such a manner to form an integral part with an inner and outer coating of reinforced polyester resin. The unit shall meet ANSI 124.2, BDCA, NAHB, UPC, and shall meet the requirements of Southern Building Code.

The enclosure shall be equipped with the following installed accessories:
 1) molded soap ledges, 2) tile finish, 3) diamond tile, 4) HDPE plastic FUS, 5) 1.25" OD CC white snap on flange grab bar, 6) CC white non integral curtain rod, 7) Symmons valve, 8) 24" hand held shower kit, 9) extra 24" slide guide on end wall, 10) Standard wood blocking for grab bars all 3 walls.

THIS UNIT FEATURES THE OUTSIDE DIMENSIONS OF 60" OF OVERALL WIDTH. THIS DOES NOT ALLOW FOR FULL ENCLOSURE OF THE BOLTS THAT ARE USED TO SECURE THE BARS AND SEAT IN PLACE. THE BOLT AND NUT COMBINATION SHOULD NOT PROTRUDE ANY MORE THAN 3/4" ON EITHER SIDE. THIS SHOULD NOT CREATE ANY TYPE OF INSTALLATION PROBLEMS EXCEPT FOR A DRY WALL ENCLOSED FIRE WALL INSTALLATION AREA THAT WOULD NOT ALLOW FOR ANY VARIATIONS. IN A STANDARD STUD/OPENING INSTALLATION THE EXTENSION OF THE HARDWARE SHOULD NOT CAUSE ANY TYPE OF PROBLEM.

NOTE: GRAB BAR IS ATTACHED TO BOTH THE BACK WALL & THE END WALL, IT WILL BE NECESSARY TO TAKE THE GRAB BAR OFF TO INSTALL THIS UNIT.

NOTE: DO NOT ROUGH IN FOR SHOWER VALVE UNTIL UNIT IS RECEIVED AND IN PLACE.



CROSS-SECTION OF THRESHOLD

DUE TO THE NATURE OF THE MATERIALS DIMENSIONS MAY VARY ± 1/2"

COMFORT DESIGNS	
Quote No:	Drawing#: XST6030BFP
Date: 9-8-00	Revised: 3-12-03
Job Name:	