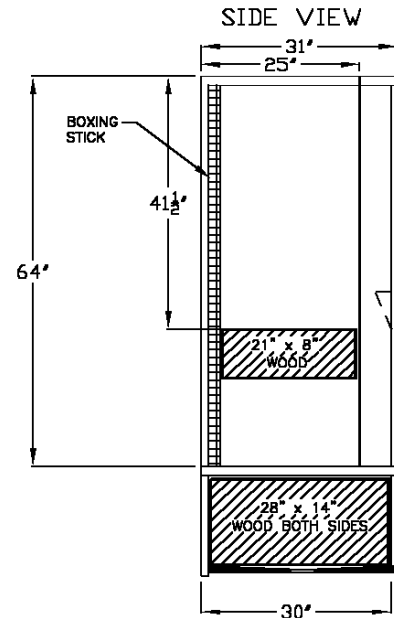
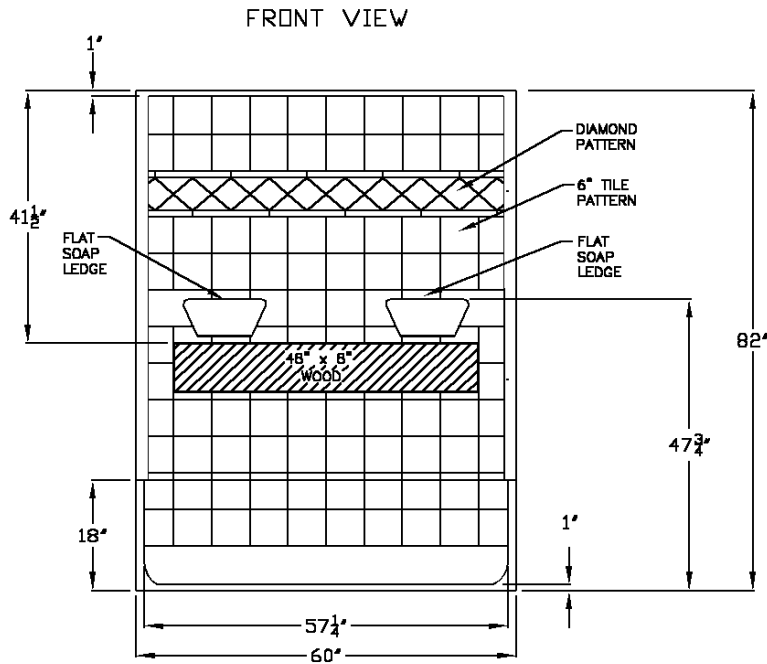


"Smart Fit" Sectional

For Dimensional Purposes Only



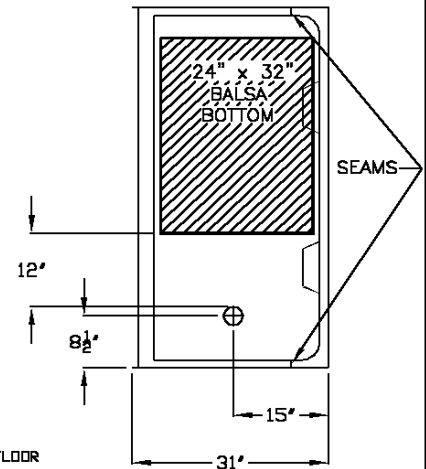
Curbless Non-Recessing Shower Stall

The shower enclosure shall be Comfort Designs Model XST6030BFKD1.0 center, right or left. Finished surface shall be of a sanitary-grade polyester gelcoat exhibiting a minimal thickness of 15 dry mils, and a finished cured Barcol hardness of 80-90 as tested with ASTM D-2583. Unit construction shall be of molded reinforced fiberglass with a 15% minimum fiberglass content. The unit shall have outside dimensions of 60" x 31" x 82". The base shall be attached to the sump of the unit in such a manner to form an integral part with an inner and outer coating of reinforced polyester resin. The unit shall meet ANSI 124.2, HUD, BOCA, NAHB, UPC, and shall meet the requirements of Southern Building Code.

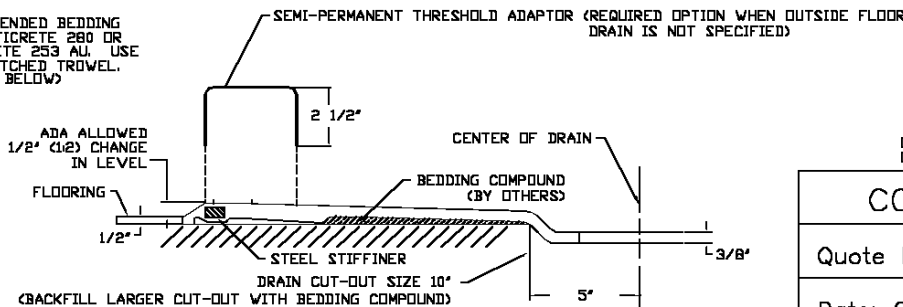
The enclosure shall be equipped with the following installed accessories:
 1) molded soap ledges, 2) tile finish, 3) diamond tile, 4) Wood backing for future grab bar and seat

THIS UNIT FEATURES THE OUTSIDE DIMENSIONS OF 60" OF OVERALL WIDTH. THIS DOES NOT ALLOW FOR FULL ENCLOSURE OF THE BOLTS THAT ARE USED TO SECURE THE BARS AND SEAT IN PLACE. THE BOLT AND NUT COMBINATION SHOULD NOT PROTRUDE ANY MORE THAN 3/4" ON EITHER SIDE. THIS SHOULD NOT CREATE ANY TYPE OF INSTALLATION PROBLEMS EXCEPT FOR A DRY WALL ENCLOSED FIRE WALL INSTALLATION AREA THAT WOULD NOT ALLOW FOR ANY VARIATIONS IN A STANDARD STUD/ OPENING INSTALLATION THE EXTENSION OF THE HARDWARE SHOULD NOT CAUSE ANY TYPE OF PROBLEM.

TOP VIEW



RECOMMENDED BEDDING
 USE LATICRETE 280 DR
 LATICRETE 253 ALI, USE
 1/2" NOTCHED TROWEL.
 (SEE BELOW)



CROSS-SECTION OF THRESHOLD

DUE TO THE NATURE OF THE MATERIALS
 DIMENSIONS MAY VARY ± 1/2"

COMFORT DESIGNS

Quote No.: Drawing#: XST6030BFA

Date: 9-8-00 Revised: 8-9-02

Job Name: