

XST5038BF.5

LH VALVE SHOWN (In drawing, not photo)

SUBMITTAL DATA

PREPACKAGED MODEL 50382



STANDARD FEATURES



OD: 50" x 38" x 81 1/8"
ID: 46" x 36"

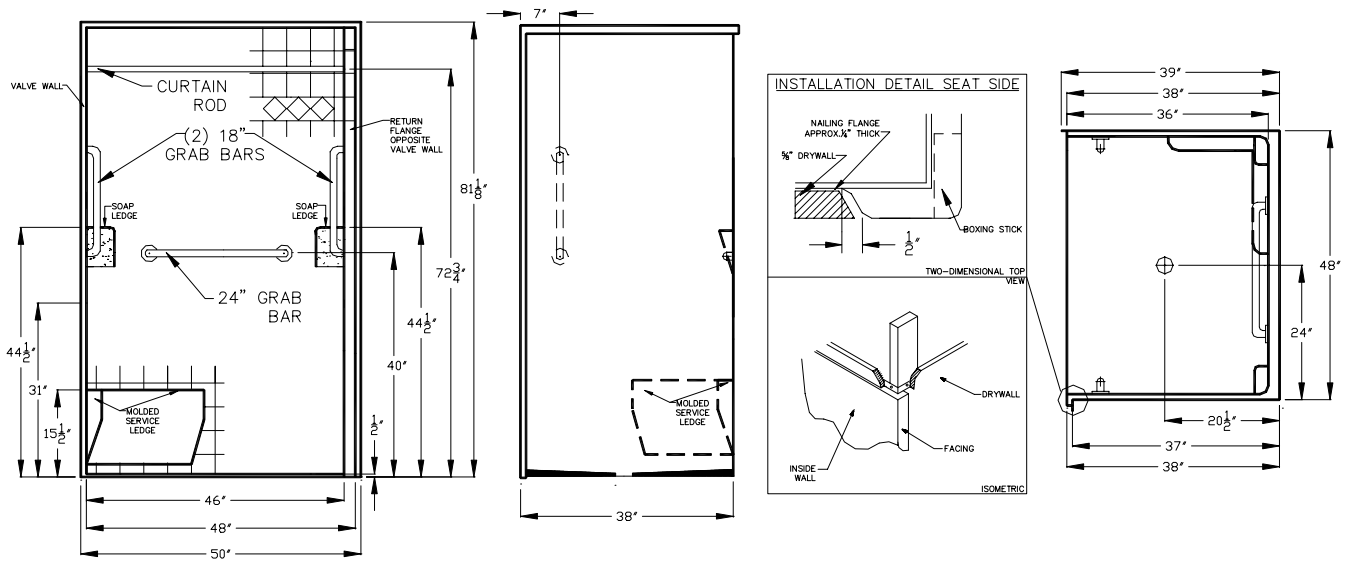
Weight: TBD
Material: Gel-coat

Load Points: 1.26

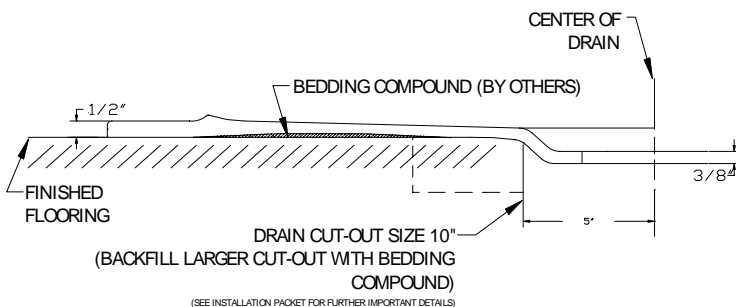
- Classic tile with diamond accent, gel-coat finish
- Steel reinforced 1/2" barrier free threshold
- Self trimming 90 degree return flange
- Walls constructed with 1/2" tri-cell honeycomb
- 2 molded corner soap dishes & 1 molded leg ledge
- Textured floor

Note: Accessory selections & technical data on back (page 2 of 2)
Due to the nature of materials, dimensions may vary +/- 1/2"
This unit can not accept a shower door

SPECIAL NOTE: The photograph, left, while intended to illustrate the structure and features of the product shown, may not exactly represent the prepackaged model described on this specification sheet. For exact specifications refer to the drawing below.

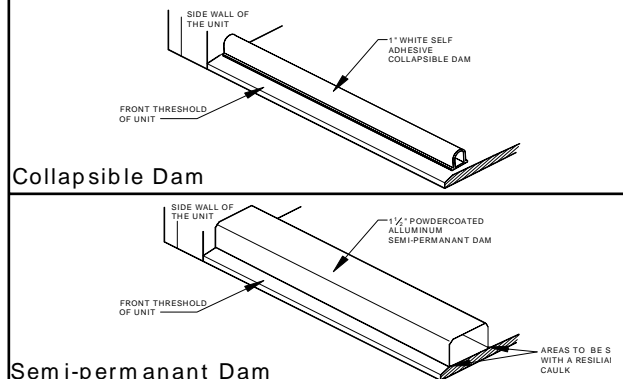


Cross Section of Threshold



Note: This threshold drawing is not to scale

Water Retainage Options



COMFORT DESIGNS

11210 B BUNDLE RD * CHESTERFIELD, VA 23838

Phone: 800-801-2820 Fax: 804-790-1364 E-mail: comfortdesigns@comcast.net

Drawing: XST50382

Orig.: 2-6-04

Revised: 9-27-04

Page 1 of 2

ACCESSORY OPTIONS

Grab bars:

- 1 1/4" OD Comfort Care white
- 1 1/4" OD Comfort Care Bone
- 1 1/4" OD Stainless Steel
- Other: _____

Finish Options:

- Max-guard anti-bacterial protection
- Century Stone Color _____
- "Blue Coated" protective coating spray

Curtain Rod:

- Comfort Care white
- Comfort Care bone
- Stainless Steel
- Other: _____

Water Retainment Accessory Options Shipped loose:

- White self adhesive collapsible dam
- 1 1/2" white semi-permanent dam
- Heavy weighted curtain & hooks
- No caulk shower drain

Gel-coat color options:

- White
- Bone
- Biscuit/Linen
- Other: _____

Comments: _____

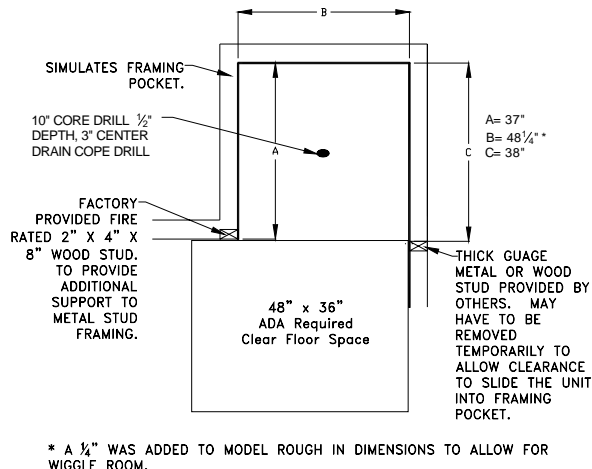
COORDINATION

Installation Requirements

"No Recess Necessary" units are designed to be installed directly on the sub-floor surface. A 10" core drill or molded voids in slab or sub-floor surface 1/2" deep are required to accept a natural drain slope of unit. A non-shrinking thin set bedding slurry is required for standard installation. See Installation Instruction packet for further details.

OPTION The Self Sustaining "Easy Base". This option eliminates the need for labor materials (slurry mix) and extra time that's usually required during the normal mud set installation.

THE FLOOR OF THIS SHOWER UNIT IS SELF-SUSTAINING. ONCE SET IN PLACE, THE SHOWER WITH THIS OPTION MAY ONLY NEED TO BE SHIMMED. Refer to the installation instructions for further details. Subject to availability.



OTHER IMPORTANT INFO

Warranty: 3 years when installed in accordance with manufacturers installation instructions.

Code Reference Listing

This model shall meet or exceed the following code listings when fully accessorized and installed according to each codes requirements.

ANSI124.2 HUD BOCA NAHB UPC Southern Building Code

JOB INFO

Job Name: _____

Date: _____

Approved by: _____ (Print) _____ (Signature)

Quantity: RH LH (According to valve wall) Drawing # XST50382 Revised: 9-27-04

Wholesaler: _____

Architect: _____

Note: By signing this factory submittal sign-off drawing you are agreeing that the unit will be built according to your above selections and understand that you need to follow all instructions on page 1&2 of this drawing. PO will reflect drawing.