

XST4836SH4
 RH VALVE SHOWN
 SUBMITTAL DATA
 PREPACKAGED MODEL 4836SH1



STANDARD FEATURES



OD: 48" x 36" x 80"
 ID: 45" x 33"

Weight: TBD
 Material: Gel-coat

Load Points: 1.13

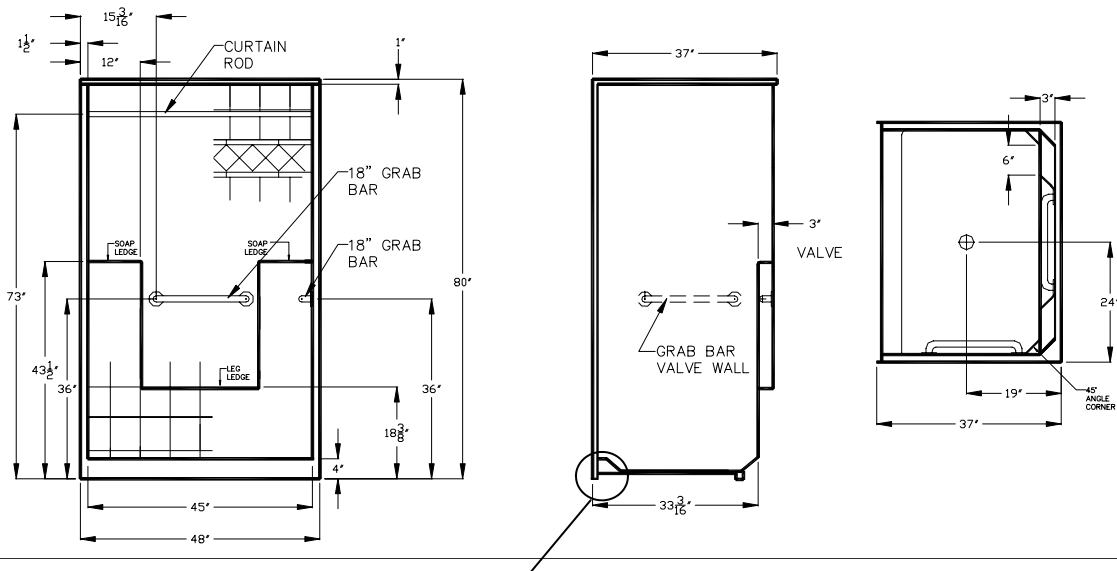
- 4" low profile threshold
- 1/2" tri-cell honeycomb wall construction
- Adaptable flat wall design for future accessories
- 6" tile pattern with diamond accent
- Integral corner soap ledges
- Integral leg ledge
- Textured floor

Accessory selections & technical data on back (page 2)

Note:

Due to the nature of materials, dimensions may vary +/- 1/2"

This photo may not reflect this "prepackaged model" accessory configuration.



Low Step Over Threshold

Easy Step 4" Threshold allows minimal level change between shower floor and bathroom floor. Self supporting floor construction. (Shimming required when necessary)



Water Retainage Options

- Premium "Impact" Nylon Curtain with Heavy Tape Weights
- Glass Enclosure: By-Pass or Swing with Fixed Panel. Contact Customer Service for more information
- Economy Heavy Duty Sure Check Vinyl less Weights
- Standard Heavy Duty Sure Check Vinyl with weights

COMFORT DESIGNS

11210 B BUNDLE RD * CHESTERFIELD, VA 23838

Phone: 800-801-2820 Fax: 804-790-1364 E-mail: comfortdesigns@comcast.net

Drawing: XST4836SH1

Orig.: 3-15-04

Revised: 6-30-04

Page 1 of 2

ACCESSORY OPTIONS

Grab bars:

- 1 1/4" OD Comfort Care white
- 1 1/4" OD Comfort Care Bone
- 1 1/4" OD Stainless Steel
- Other: _____

Curtain Rod:

- Comfort Care white
- Comfort Care Bone
- Stainless Steel
- Other: _____

Water Retainment Accessory Options Shipped loose:

- No caulk shower drain
- Curtain and hooks

Finish Options:

- Max-guard anti-bacterial protection
 - Century Stone Color _____
 - "Blue Coated" protective coating spray
- Gel-coat color options:**
- White
 - Bone
 - Biscuit/Linen
 - Other: _____

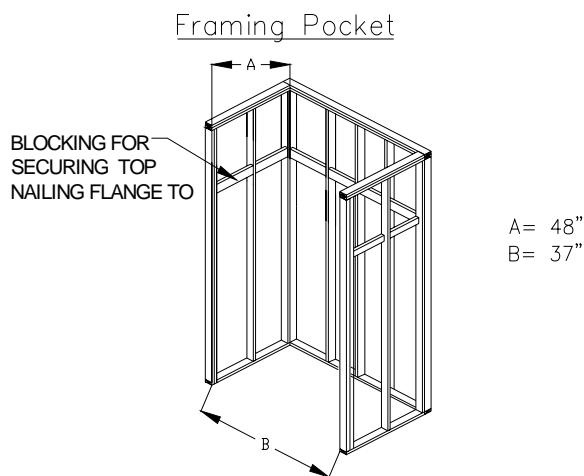
Comments: _____

COORDINATION

Installation Requirements

Refer to standard Gelcoat shower or Tubshower Installation Manual which is either electronically attached to submittal or O&M packet or physically attached to the unit.

Note: Shimming required when necessary, mudset not required.



OTHER IMPORTANT INFO

Warranty: 3 years when installed in accordance with manufacturers installation instructions.

Code Reference Listing

This model shall meet or exceed the following code listings when fully accessorized and installed according to each codes requirements.

ANSI124.2 BOCA NAHB UPC Southern Building Code

JOB INFO

Job Name: _____

Date: _____

Approved by: _____ (Print) _____ (Signature)

Quantity: RH LH (According to valve wall) Drawing # XST4836SH1 Revised: 6-30-04

Wholesaler: _____

Architect: _____

Note: By signing this factory submittal sign-off drawing you are agreeing that the unit will be built according to your above selections and understand that you need to follow all instructions on page 1&2 of this drawing. PO will reflect drawing.