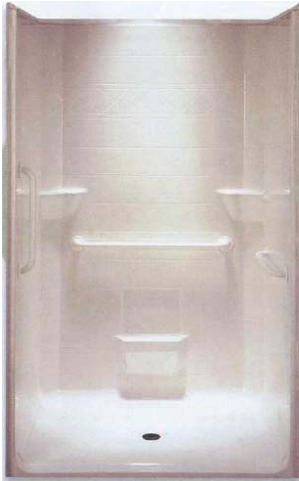


XST4836BF.5  
RH VALVE SHOWN  
SUBMITTAL DATA  
PREPACKAGED MODEL 4836BF5



STANDARD FEATURES



OD: 48" x 37" x 80 7/8"      Weight: TBD      Load Points: 1.13  
ID: 45" x 35 3/4"      Material: Gel-coat

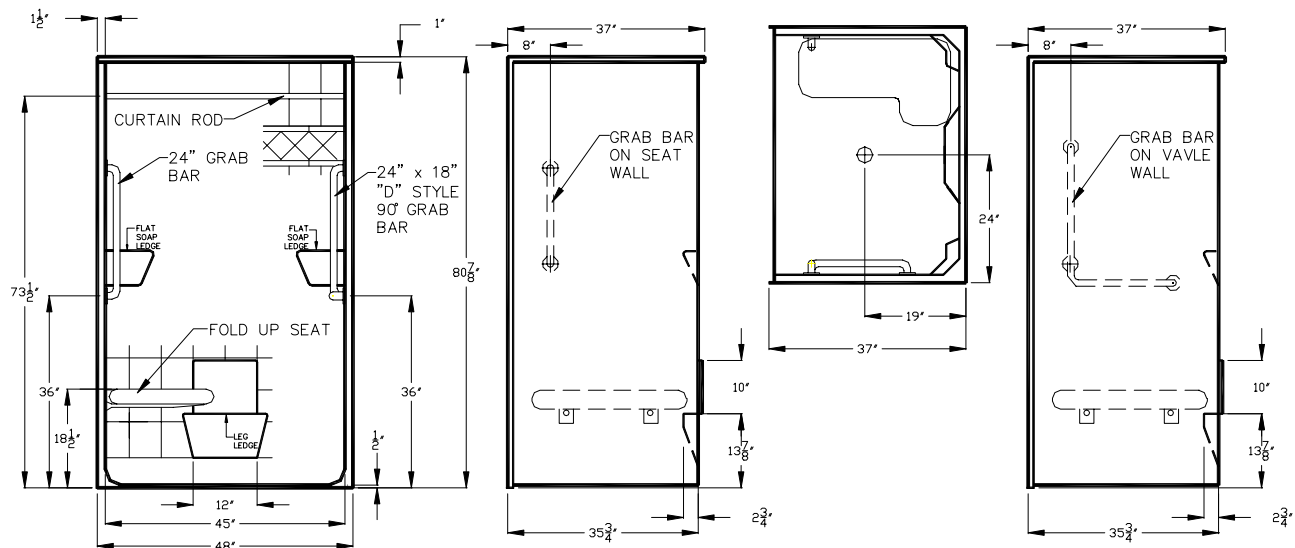
- 1/2" barrier free threshold (no recess necessary)
- Diamond tile accent
- 6" smooth tile pattern (gel coat)
- 1/2" tri-cell honeycomb wall construction
- Tall 80 7/8" walls
- Textured non-slip floor
- 2 molded soap ledges and leg ledge

Accessory selections & technical data on back (page 2)

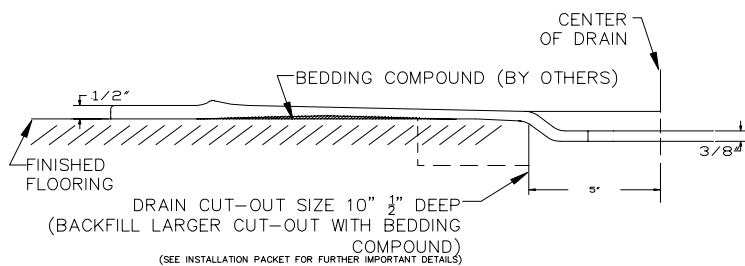
Note:

Due to the nature of materials, dimensions may vary +/- 1/2"  
This unit can not accept a shower door due to corner radius

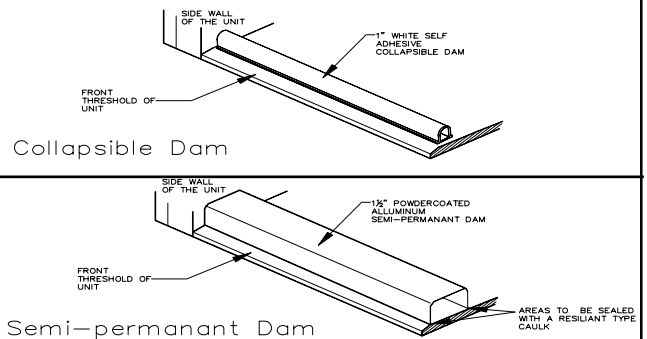
This photo does not reflect this "prepackaged model" accessory configuration.



Cross Section of Threshold



Water Retainage Options



## ACCESSORY OPTIONS

**Grab bars:**

- 1 1/4" OD Comfort Care white
- 1 1/4" OD Comfort Care Bone
- 1 1/4" OD Stainless Steel
- Other: \_\_\_\_\_

**Seat:**

- Frameless Padded Naugahyde
- Molded Bolt-on seat
- Frameless HDP (High density plastic)
- Seat with Powder coated frame
- Other: \_\_\_\_\_

**Finish Options:**

- Max-guard anti-bacterial protection
- Century Stone Color \_\_\_\_\_
- "Blue Coated" protective coating spray

**Curtain Rod:**

- Comfort Care white
- Comfort Care bone
- Stainless Steel
- Other: \_\_\_\_\_

**Water Retainment Accessory Options Shipped loose:**

- White self adhesive collapsible dam w/ end caps
- 1 1/2" white semi-permanent dam
- Heavy weighted curtain & hooks
- No caulk shower drain

**Gel-coat color options:**

- White
- Bone
- Biscuit/Linen
- Other: \_\_\_\_\_

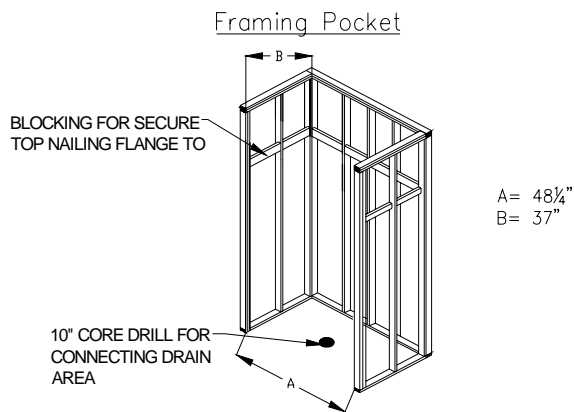
**Comments:** \_\_\_\_\_  
 \_\_\_\_\_  
 \_\_\_\_\_

## COORDINATION

Installation Requirements

"No Recess Necessary" units are designed to be installed directly on the sub-floor surface. A 10" core drill or molded voids in slab or sub-floor surface 1/2" deep are required to accept a natural drain slope of unit. A non-shrinking thin set bedding slurry is required for standard installation. See Installation Instruction packet for further details.

**OPTION** The "Self Sustaining Base". This option eliminates the need for labor materials (slurry mix) and extra time that's usually required during the normal mud set installation. **THE FLOOR OF THIS SHOWER UNIT IS SELF-SUSTAINING. ONCE SET IN PLACE, THE SHOWER WITH THIS OPTION MAY ONLY NEED TO BE SHIMMED.** Refer to the installation instructions for further details.



## OTHER IMPORTANT INFO

Warranty: 3 years when installed in accordance with manufacturers installation instructions.

Code Reference Listing

This model shall meet or exceed the following code listings when fully accessorized and installed according to each codes requirements.

ANSI124.2 HUD BOCA NAHB UPC Southern Building Code

## JOB INFO

Job Name: \_\_\_\_\_

Date: \_\_\_\_\_

Approved by: \_\_\_\_\_ (Print) \_\_\_\_\_ (Signature)

Quantity:  RH  LH (According to valve wall) Drawing # XST48365 Revised: 4-10-04

Wholesaler: \_\_\_\_\_

Architect: \_\_\_\_\_

Note: By signing this factory submittal sign-off drawing you are agreeing that the unit will be built according to your above selections and understand that you need to follow all instructions on page 1&2 of this drawing. PO will reflect drawing.