

**XST3938BF.5**  
**RH VALVE SHOWN**  
**SUBMITTAL DATA**  
**PREPACKAGED MODEL 39384**



**STANDARD FEATURES**



OD: 40" x 39 1/2" x 82"  
 ID: 36" x 36"

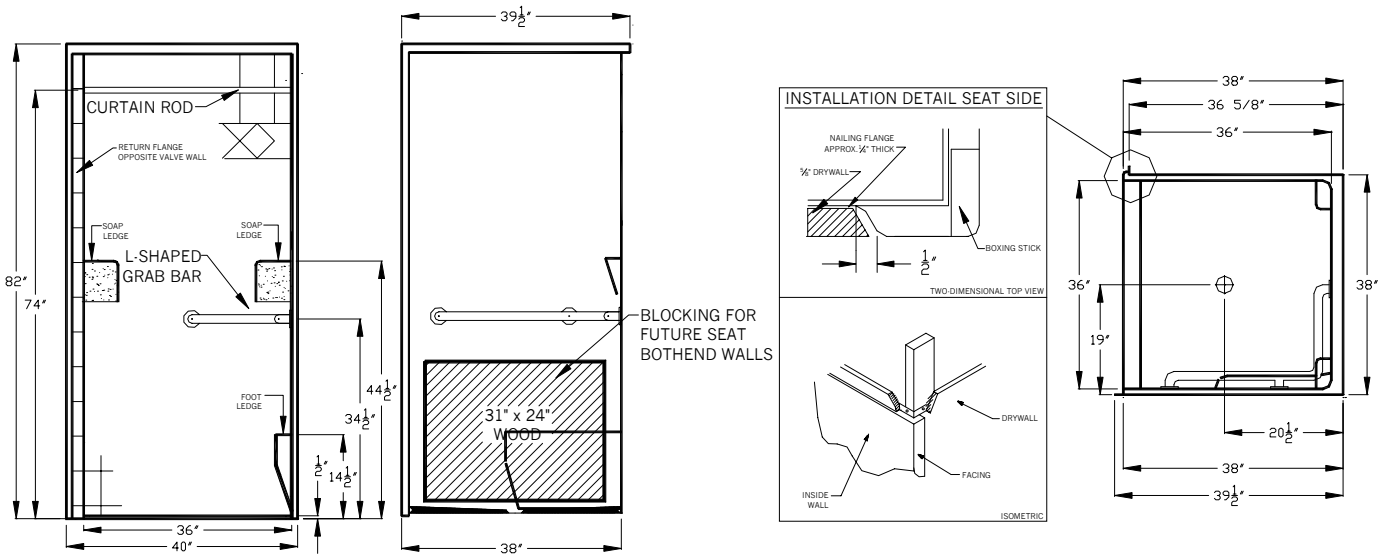
Weight: **TBD**  
 Material: Gel-coat

- 6" smooth tile with diamond accents
- 1/2" steel reinforced non recessing barrier free threshold
- Self-trimming return flange
- Walls constructed with 1/2" tri-cell honeycomb
- 2 molded corner soap dishes & 1 molded leg ledge
- Textured floor

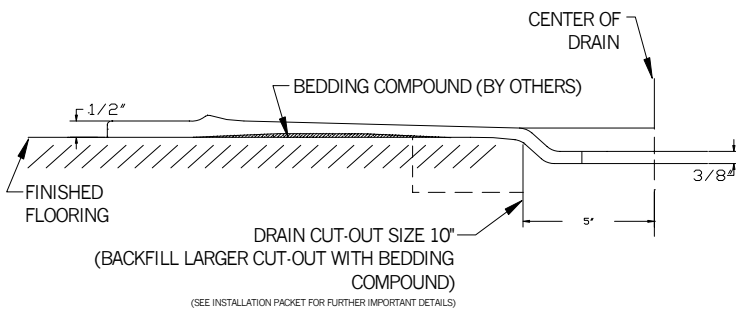
**Please make accessory selections on back**  
 Technical data on back

Note:  
 Due to the nature of materials, dimensions may vary +/- 1/2"  
 This unit can not accept a shower door

This photo does not reflect this "prepackaged model" accessory configuration.

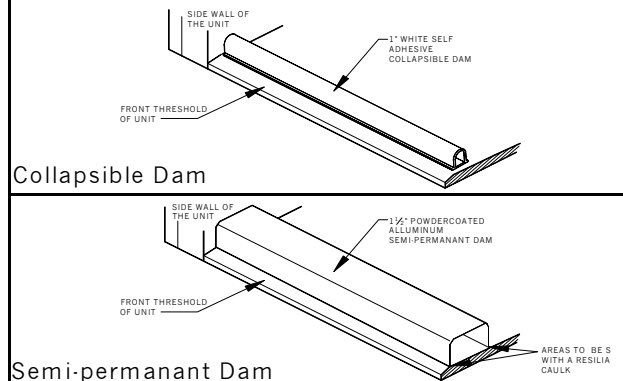


**Cross Section of Threshold**



Note: This threshold drawing is not to scale

**Water Retainage Options**



**COMFORT DESIGNS**

10700 SPRING RUN RD \* CHESTERFIELD, VA 23832

Phone: 800-801-2820 Fax: 804-790-1364 E-mail: [comfortdesigns@comcast.net](mailto:comfortdesigns@comcast.net)

Drawing: XST39384

Orig.: 8-20-03

Revised:

Page 1 of 2

**ACCESSORY OPTIONS**

**Grab bar:**

- 1 1/4" OD Comfort Care white
- 1 1/4" OD Comfort Care Bone
- 1 1/4" OD Stainless Steel
- Other: \_\_\_\_\_

**Curtain Rod:**

- Comfort Care white
- Comfort Care bone
- Stainless Steel
- Other: \_\_\_\_\_

**Water Retainment Accessory Options Shipped loose:**

- White self adhesive collapsible dam
- 1 1/2" white semi-permanent dam
- Heavy weighted curtain & hooks
- No caulk shower drain

**Finish Options:**

- Max-guard anti-bacterial protection
- Century Stone Color \_\_\_\_\_
- "Blue Coated" protective coating spray

**Gel-coat color options:**

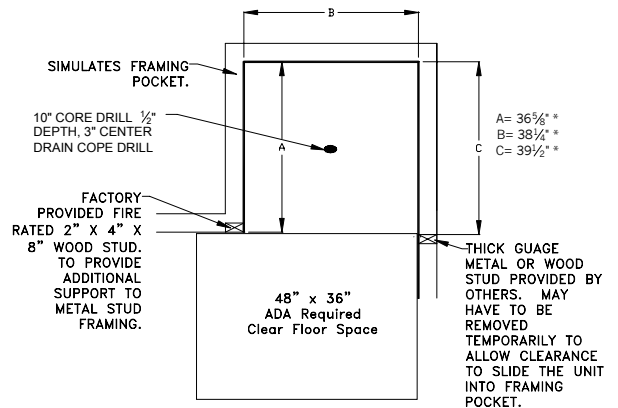
- White
- Bone
- Biscuit/Linen
- Other: \_\_\_\_\_
- Comments: \_\_\_\_\_
- \_\_\_\_\_
- \_\_\_\_\_
- \_\_\_\_\_
- \_\_\_\_\_

**COORDINATION**

Installation Requirements

"No Recess Necessary" units are designed to be installed directly on the sub-floor surface. A 10" core drill or molded voids in slab or sub-floor surface 1/2" deep are required to accept a natural drain slope of unit. A non-shrinking thin set bedding slurry is required for standard installation. See Installation Instruction packet for further details.

**OPTION** The "Level Ready Base". This option eliminates the need for labor materials (slurry mix) and extra time that's usually required during the normal mud set installation. **THE FLOOR OF THIS SHOWER UNIT IS SELF-SUSTAINING. ONCE SET IN PLACE, THE SHOWER WITH THIS OPTION MAY ONLY NEED TO BE SHIMMED.** Refer to the installation instructions for further details.



\* A 1/4" WAS ADDED TO MODEL ROUGH IN DIMENSIONS TO ALLOW FOR WIGGLE ROOM.

**OTHER IMPORTANT INFO**

Warranty: 3 years when installed in accordance with manufacturers installation instructions.

Code Reference Listing

This model shall meet or exceed the following code listings when fully accessorized and installed according to each codes requirements.

ANSI124.2    BOCA    NAHBUPC    Southern Building Code

**JOB INFO**

Job Name: \_\_\_\_\_

Date: \_\_\_\_\_

Approved by: \_\_\_\_\_ (Print) \_\_\_\_\_ (Signature)

Quantity:  RH  LH (According to valve wall) Drawing # XST39384 Revised: 8-20-03

Wholesaler: \_\_\_\_\_

Architect: \_\_\_\_\_

Note: By signing this factory submittal sign-off drawing you are agreeing that the unit will be built according to your above selections and understand that you need to follow all instructions on page 1&2 of this drawing. PO will reflect drawing.

COMFORT DESIGNS  
10700 SPRING RUN RD \* CHESTERFIELD, VA 23832  
Phone: 800-801-2820 Fax: 804-790-1364 E-mail: [comfordesigns@comcast.net](mailto:comfordesigns@comcast.net)