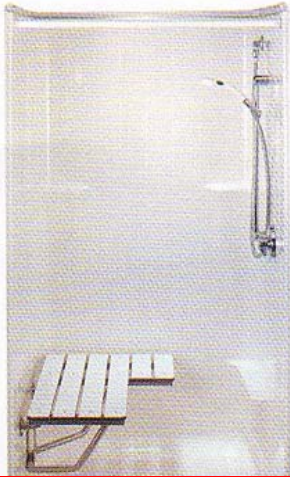


XST3938BFADA.5
 RH VALVE SHOWN
 SUBMITTAL DATA
PREPACKAGED MODEL 39381



STANDARD FEATURES



OD: 40" x 39 1/2" x 82"
 ID: 36" x 36"

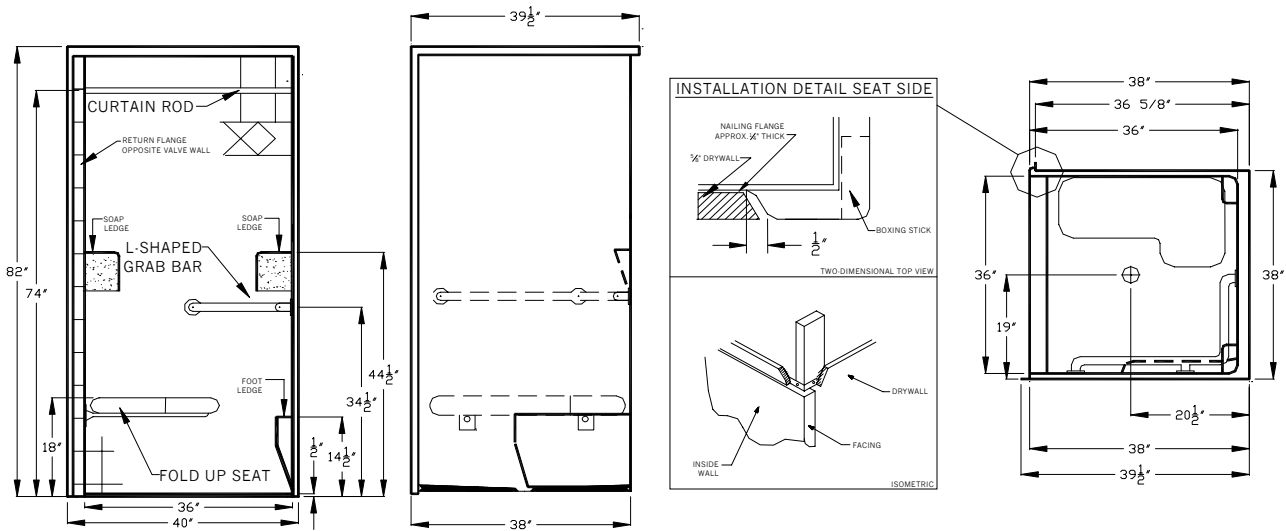
Weight: TBD
 Material: Gel-coat

- 6" smooth tile with diamond accents
- 1/2" steel reinforced non recessing barrier free threshold
- Self-trimming return flange
- Walls constructed with 1/2" tri-cell honeycomb
- 2 molded corner soap dishes & 1 molded leg ledge
- Textured floor

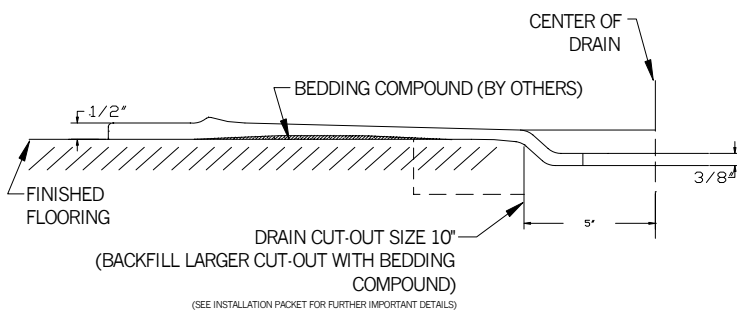
Please make accessory selections on back
 Technical data on back

Note:
 Due to the nature of materials, dimensions may vary +/- 1/2"
 This unit can not accept a shower door

This photo does not reflect this "prepackaged model" accessory configuration.

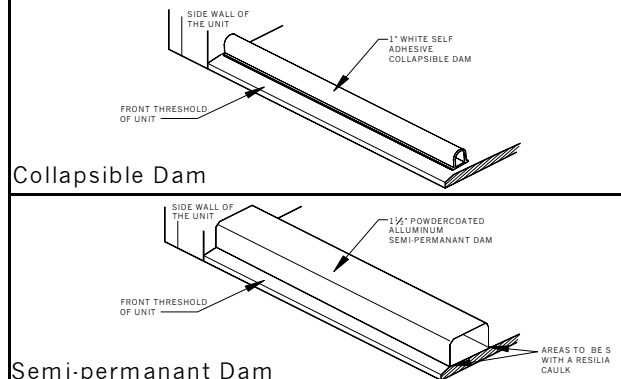


Cross Section of Threshold



Note: This threshold drawing is not to scale

Water Retainage Options



COMFORT DESIGNS

10700 SPRING RUN RD * CHESTERFIELD, VA 23832

Phone: 800-801-2820 Fax: 804-790-1364 E-mail: comfortdesigns@comcast.net

Drawing: XST39381

Orig.: 7-1-03

Revised:

Page 1 of 2

ACCESSORY OPTIONS

Grab bar:

- 1 1/4" OD Comfort Care white
- 1 1/4" OD Comfort Care Bone
- 1 1/4" OD Stainless Steel
- Other: _____

Seat:

- Frameless Padded Naugahyde
- Frameless Phenolic wood slat
- Frameless HDP (High density plastic)
- Seat frame coated with color
- Other: _____

Curtain Rod:

- Comfort Care white
- Comfort Care bone
- Stainless Steel
- Other: _____

Water Retainment Accessory Options Shipped loose:

- White self adhesive collapsible dam
- 1 1/2" white semi-permanent dam
- Heavy weighted curtain & hooks
- No caulk shower drain

Finish Options:

- Max-guard anti-bacterial protection
- Century Stone Color _____
- "Blue Coated" protective coating spray

Gel-coat color options:

- White
- Bone
- Biscuit/Linen
- Other: _____

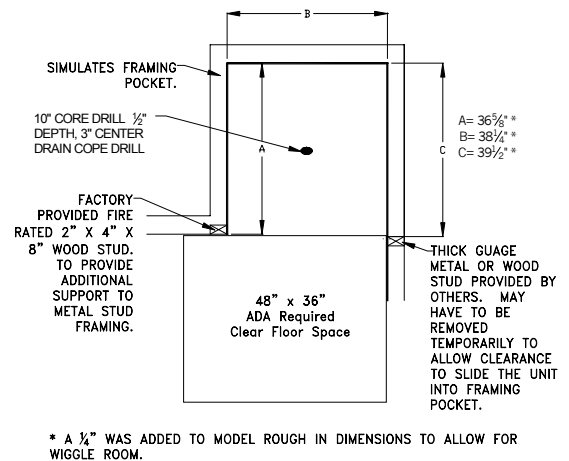
Comments: _____

COORDINATION

Installation Requirements

"No Recess Necessary" units are designed to be installed directly on the sub-floor surface. A 10" core drill or molded voids in slab or sub-floor surface 1/2" deep are required to accept a natural drain slope of unit. A non-shrinking thin set bedding slurry is required for standard installation. See Installation Instruction packet for further details.

OPTION The "Level Ready Base". This option eliminates the need for labor materials (slurry mix) and extra time that's usually required during the normal mud set installation. **THE FLOOR OF THIS SHOWER UNIT IS SELF-SUSTAINING. ONCE SET IN PLACE, THE SHOWER WITH THIS OPTION MAY ONLY NEED TO BE SHIMMED.** Refer to the installation instructions for further details.



OTHER IMPORTANT INFO

Warranty: 3 years when installed in accordance with manufacturers installation instructions.

Code Reference Listing

This model shall meet or exceed the following code listings when fully accessorized and installed according to each codes requirements.

ICC/ANSI117.1 ANSI124.2 ADAAG BOCA NAHBUPC Southern Building Code

JOB INFO

Job Name: _____

Date: _____

Approved by: _____ (Print) _____ (Signature)

Quantity: RH LH (According to valve wall) Drawing # XST39381 Original 7-1-03

Wholesaler: _____

Architect: _____

Note: By signing this factory submittal sign-off drawing you are agreeing that the unit will be built according to your above selections and understand that you need to follow all instructions on page 1&2 of this drawing. PO will reflect drawing.