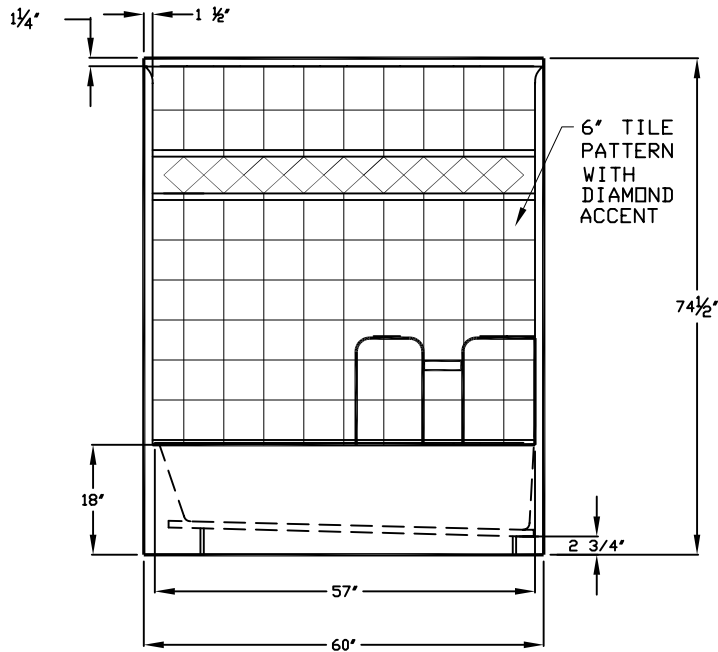


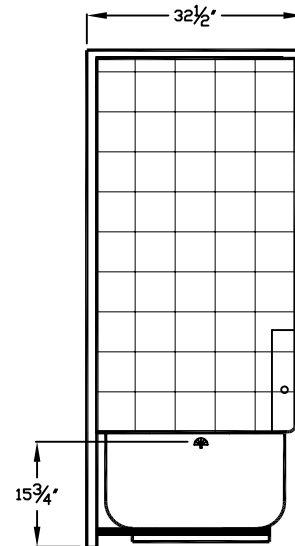
EASY LIVING VE SERIES

SUBMITTAL DATA

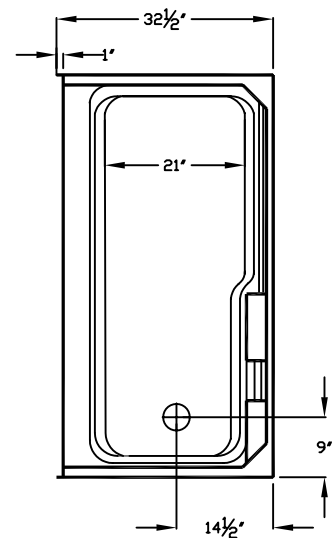
FRONT VIEW



SIDE VIEW



TOP VIEW



DUE TO THE NATURE OF THE MATERIALS
DIMENSIONS MAY VARY $\pm 1/2$ "

Features:
Contemporary smooth 6" tile with diamond accent
Extra wide bathing well
Integral acrylic towel bar
Standard residential wall construction
Above the floor rough
Level ready self supported base no mud required

NOTE: THIS UNIT WAS NOT DESIGNED TO RECEIVE GRAB BARS AND SEATS OR BLOCKING FOR FUTURE INSTALLATION OF GRAB BARS AND SEAT.

DESIGNED FOR THE FOLLOWING APPLICATIONS:
MULTI-FAMILY HOUSING
RESIDENTIAL HOUSING

Job Name:		COMFORT DESIGNS	
Model No.:		Drawing#:XS3360TS	
Approved by:	Date Approved:	Date: 10-6-00 Revised: 2-7-03	
Rep.:	Wholesaler:	Quote No.:	

COMFORT DESIGNS
10700 SPRING RUN RD - CHESTERFIELD, VA 23832
1 (800) 801-2820 - FAX (804) 790-1364 - E-MAIL comfortdesigns@comcast.net