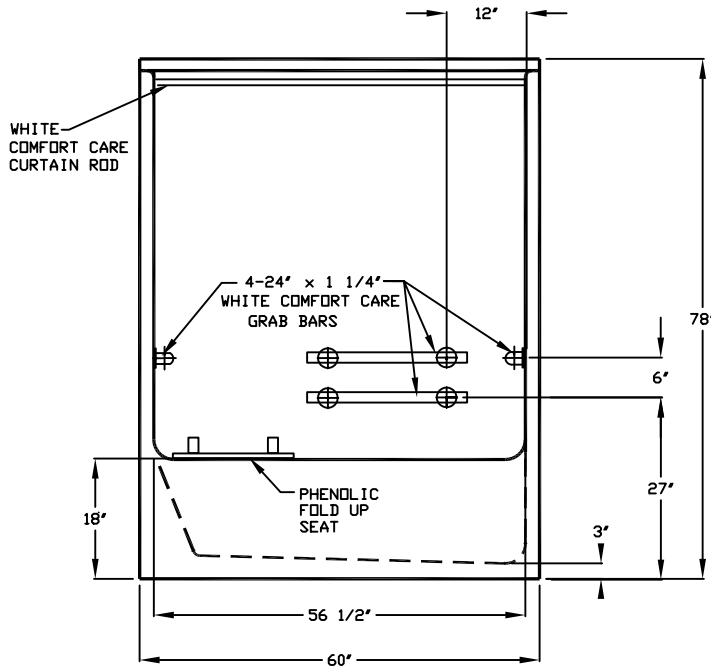


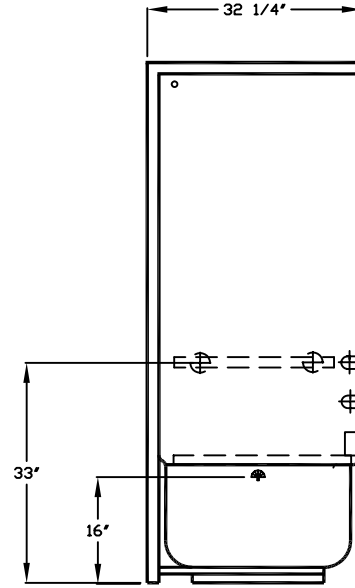
Comfort Series

FOR DIMENSIONAL PURPOSES ONLY

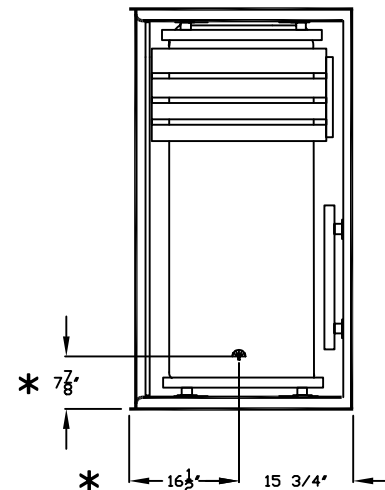
FRONT VIEW



SIDE VIEW



TOP VIEW



DUE TO THE NATURE OF THE MATERIALS
DIMENSIONS MAY VARY ± 1/2"

* CHANGED DIMENSIONS ON ALL PROJECTS
SHIPPING AFTER 5-1-02

Job Name:		COMFORT DESIGNS	
Model No.: XSS 6092 ADA GTS w/ (4) 24" x 1 1/4" CC white grab bars, Phenolic FUS, CC white curtain rod.			Drawing#:XS6092D
Approved by:	Date Approved:	Date: 8-17-99 Revised: 7-3-02	
Rep.:	Wholesaler:	Quote No.:	