

XSS3698BFADA.5  
 RH VALVE SHOWN  
 SUBMITTAL DATA  
**PREPACKAGED MODEL 36982**



STANDARD FEATURES



OD: 39" x 39 1/2" x 77"  
 ID: 36" x 36"

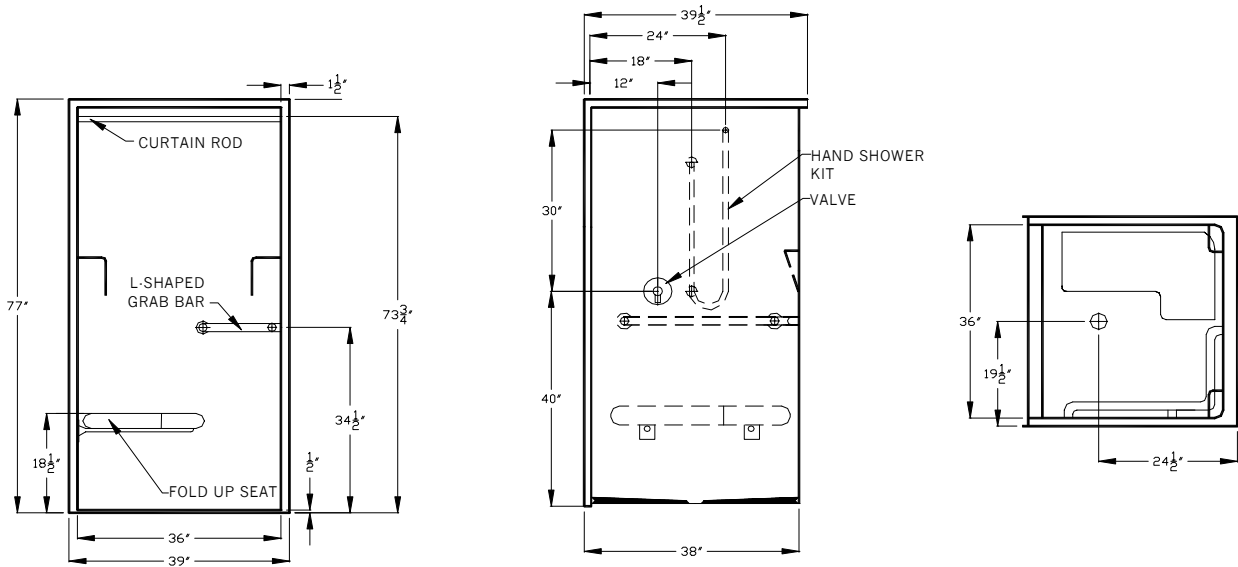
Weight: TBD  
 Material: Gel-coat

- Smooth wall gel-coat finish
- 1/2" non recessing threshold
- Standard Straight nailing flange
- Tall 77" walls
- Textured floor

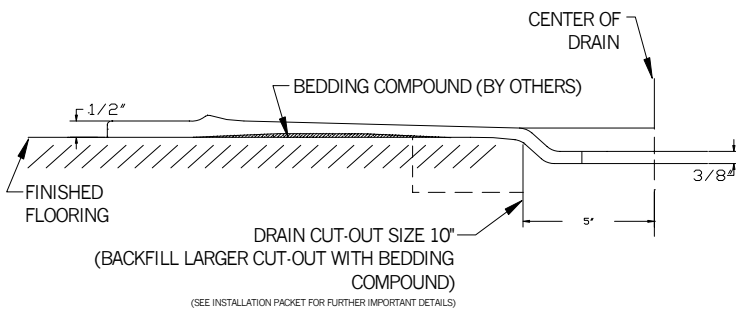
**Please make accessory selections on back**  
 Technical data on back

Note:  
 Do not rough in for shower valve until unit is received & in place  
 Due to the nature of materials, dimensions may vary +/- 1/2"  
 This unit can not accept a shower door

This photo does not reflect this "prepackaged model" accessory configuration.

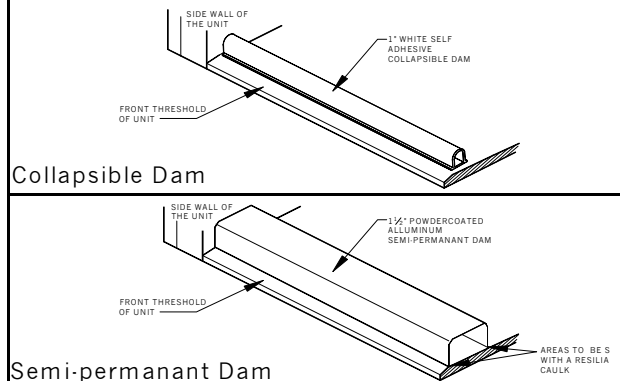


Cross Section of Threshold



Note: This threshold drawing is not to scale

Water Retainage Options



## ACCESSORY OPTIONS

**Grab bar:**

- 1 1/4" OD Comfort Care white
- 1 1/4" OD Comfort Care Bone
- 1 1/4" OD Stainless Steel
- Other: \_\_\_\_\_

**Seat:**

- Frameless Padded Naugahyde
- Frameless Phenolic wood slat
- Frameless HDP (High density plastic)
- Seat with Powder coated frame
- Other: \_\_\_\_\_

**Curtain Rod:**

- Comfort Care white
- Comfort Care bone
- Stainless Steel
- Other: \_\_\_\_\_

**Finish Options:**

- Max-guard anti-bacterial protection
- Century Stone Color \_\_\_\_\_
- "Blue Coated" protective coating spray

**Valve Package:**

- Symmon's BP-X Pressure Balanced Valve
- Power's 905H Pressure Balanced Valve
- Moen 8350 Pressure Balanced Valve

**Hand Held Shower Kit Includes:**

- Hansgrohe/Alson's hand shower, 24" slide guide, vacuum breaker, supply elbow, & hose

**Water Retention Accessory Options Shipped loose:**

- White self adhesive collapsible dam
- 1 1/2" white semi-permanent dam
- Heavy weighted curtain & hooks
- No caulk shower drain

**Gel-coat color options:**

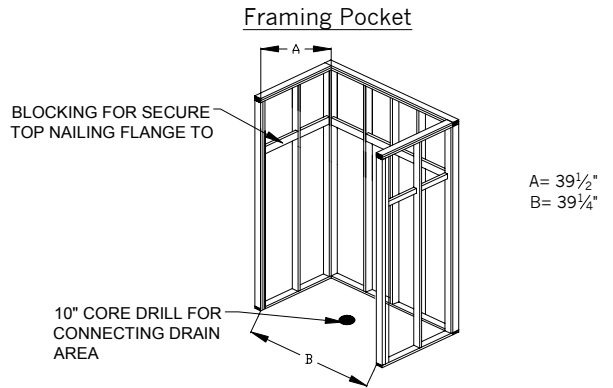
- White
- Bone
- Biscuit/Linen
- Other: \_\_\_\_\_

**Comments:** \_\_\_\_\_  
 \_\_\_\_\_  
 \_\_\_\_\_

## COORDINATION

Installation Requirements

"No Recess Necessary" units are designed to be installed directly on the sub-floor surface. A 10" core drill or molded voids in slab or sub-floor surface 1/2" deep are required to accept a natural drain slope of unit. A non-shrinking thin set bedding slurry is required for standard installation. See Installation Instruction packet for further details.



## OTHER IMPORTANT INFO

Warranty: 3 years when installed in accordance with manufacturers installation instructions.

Code Reference Listing

This model shall meet or exceed the following code listings when fully accessorized and installed according to each codes requirements.

ICC/ANSI117.1    ANSI124.2    ADAAG    BOCA    NAHBUPC    Southern Building Code

## JOB INFO

Job Name: \_\_\_\_\_

Date: \_\_\_\_\_

Approved by: \_\_\_\_\_ (Print) \_\_\_\_\_ (Signature)

Quantity:  RH  LH (According to valve wall)    Drawing # XSS36982 Revised: 11-3-03

Wholesaler: \_\_\_\_\_

Architect: \_\_\_\_\_

Note: By signing this factory submittal sign-off drawing you are agreeing that the unit will be built according to your above selections and understand that you need to follow all instructions on page 1&2 of this drawing. PO will reflect drawing.