

CD Technical Data Sheet

BASES COLLECTION

SSB6232BFL/RCOL

ADA/ANSI code compliant

NOTE: For ADA/ANSI compliance, pressure balancing mixing valve, hand-held shower with slide bar, vacuum breaker and 60' hose must be installed per ADA/ANSI guidelines.

TECHNICAL INFORMATION

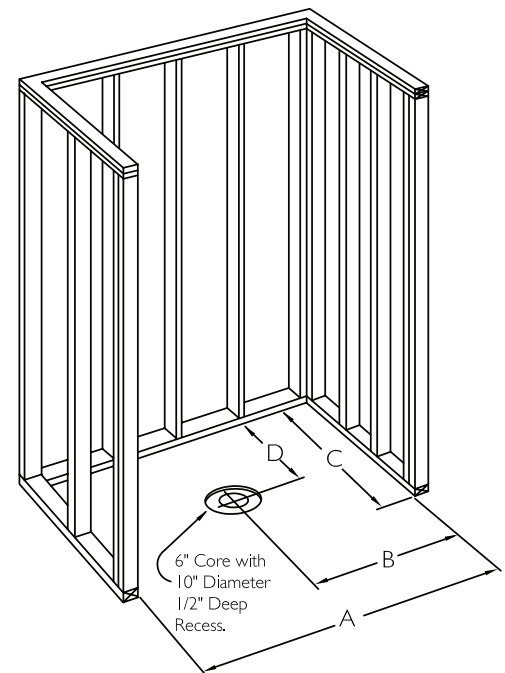
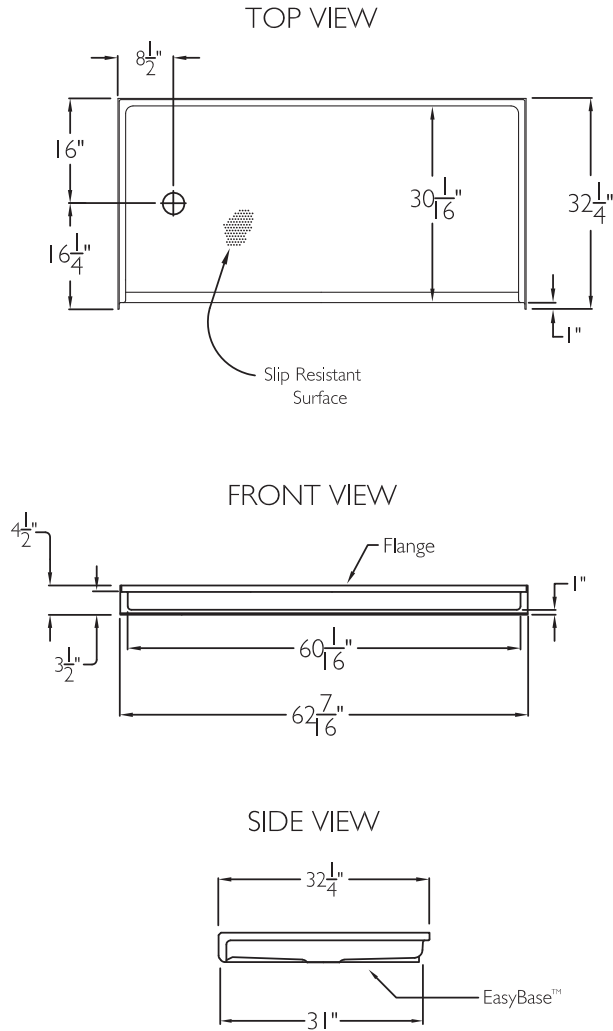
OD 62.5" x 32.25" x 4.5"

ID 60" x 30" center point

LOAD FACTOR 0.18

HANDED BY End Drain

BASES COLLECTION
Enhancing Livable Design



FRAMING DIMENSIONS

A 62.75" B 8.625"

C 32.25" D 16"

ADDITIONAL CODES

ICC/ANSI I7.1, BOCA, NAHBUPC, Southern Building Code

cd
comfortdesigns

comfortdesignsbathware.com | 800.443.7269