

CD Technical Data Sheet

ACCESSIBLE XSA7236BF

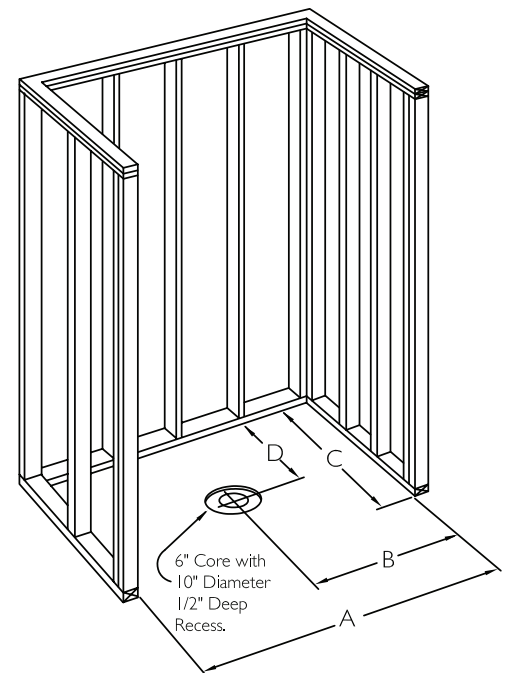
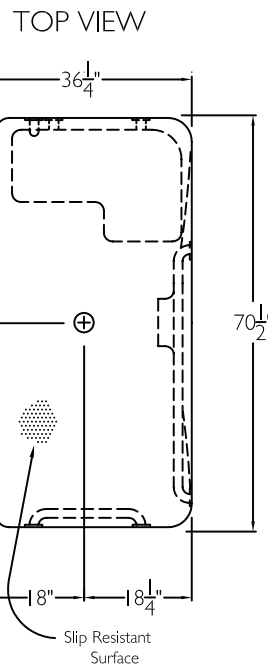
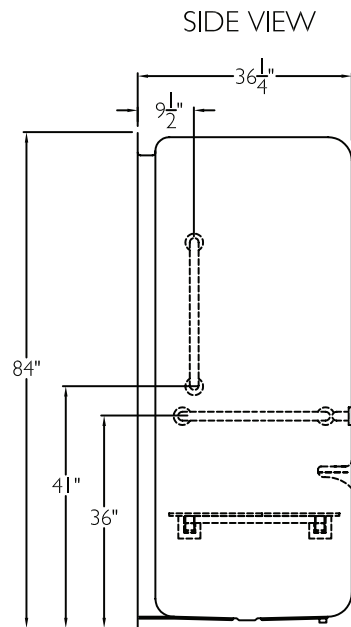
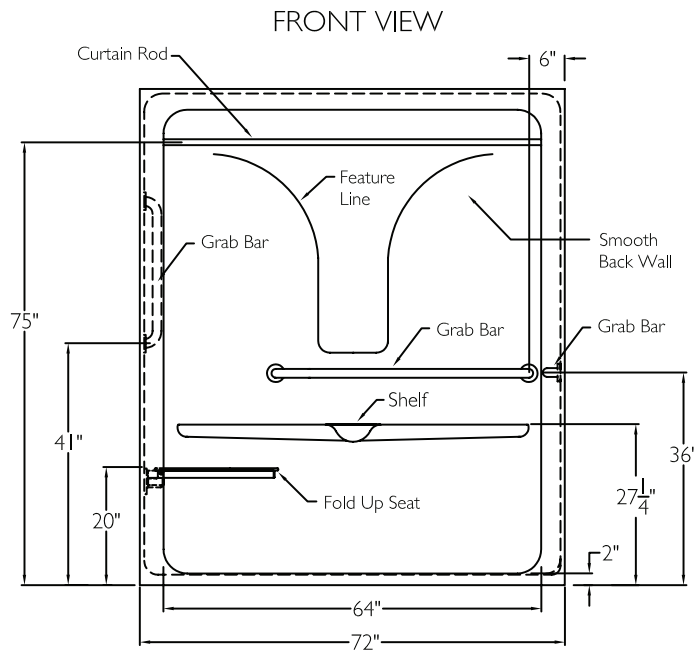
ACCESSIBLE
Enhancing Livable Design

TECHNICAL INFORMATION

OD 72" x 36.25" x 84"

LOAD FACTOR 2

HANDED BY Valve Wall



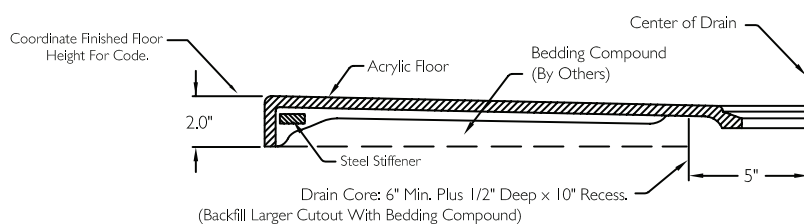
FRAMING DIMENSIONS

A 70.75" B 35.375"
C 36.25" D 18.25"

ADDITIONAL CODES

ICC/ANSI I 7.1, ANSI 24.2, ADAAG,
BOCA, NAHBUPC, Southern Building
Code

CROSS SECTION OF THRESHOLD



cd
comfortdesigns