

# CD Technical Data Sheet

## BASES COLLECTION XSB6238BF.75

ADA/ANSI code compliant

NOTE: For ADA/ANSI compliance, pressure balancing mixing valve, hand-held shower with slide bar, vacuum breaker and 60' hose must be installed per ADA/ANSI guidelines.

**BASES COLLECTION**  
Enhancing Livable Design

### TECHNICAL INFORMATION

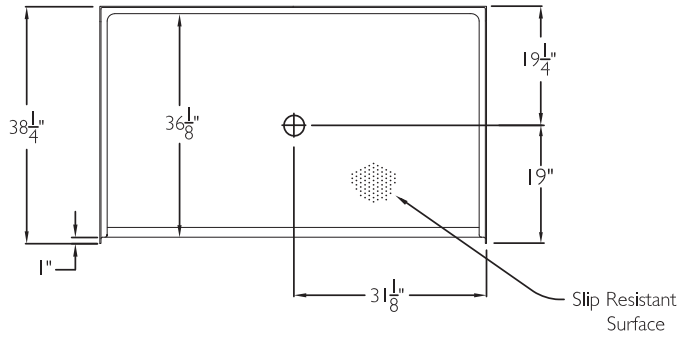
OD 62.375" x 38.5" x 4.5"

ID 60" x 36" center point

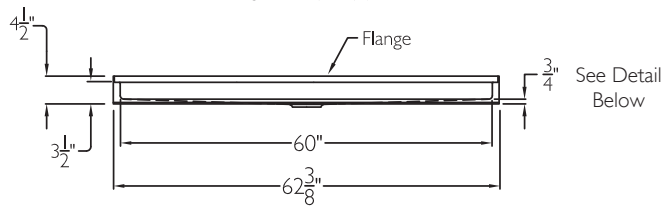
LOAD FACTOR 0.18

HANDED BY Center Drain

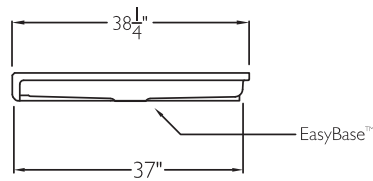
TOP VIEW



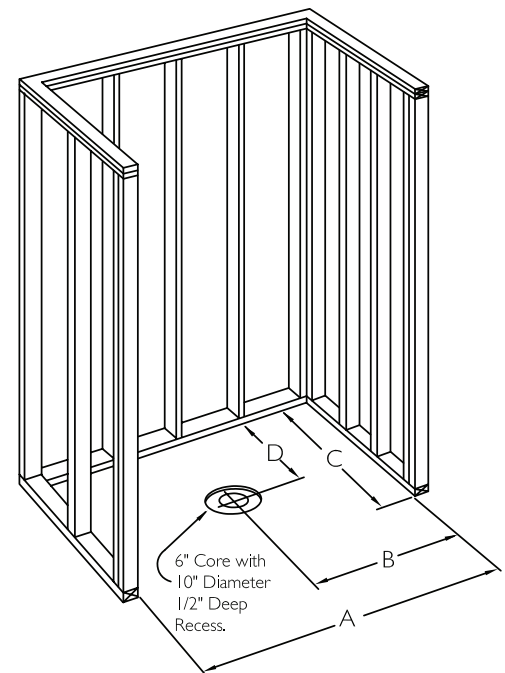
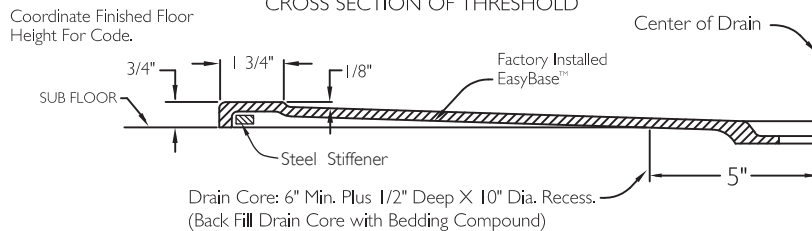
FRONT VIEW



SIDE VIEW



CROSS SECTION OF THRESHOLD



### FRAMING DIMENSIONS

A 62.5" B 31.25"

C 38.25" D 19.25"

### ADDITIONAL CODES

ICC/ANSI I 7.1, BOCA, UPC, Home Innovation Research Lab, Southern Building Code.

