

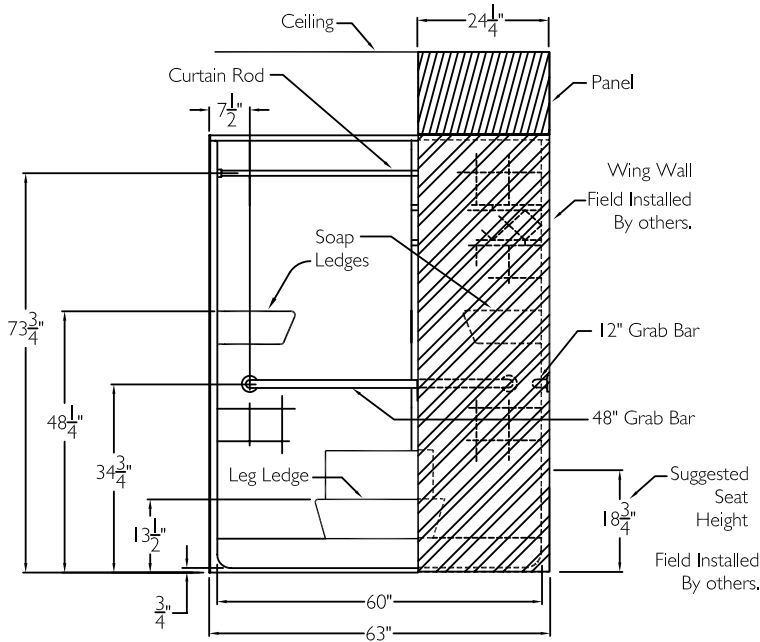
CD Technical Data Sheet

COMMERCIAL CODE COMPLIANT

SST6336BF COL WW

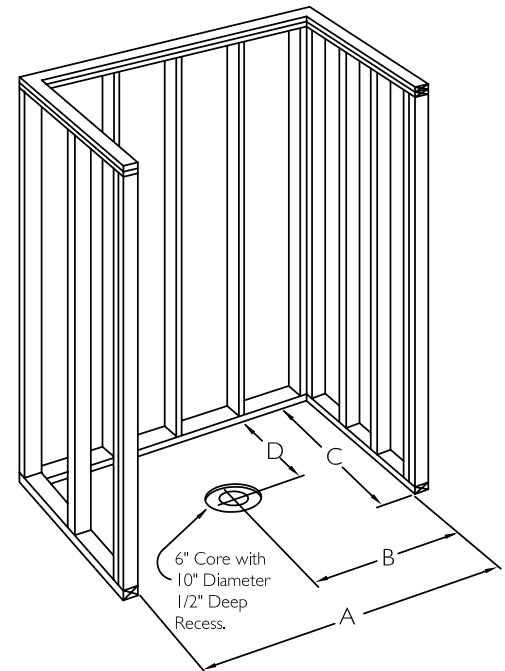
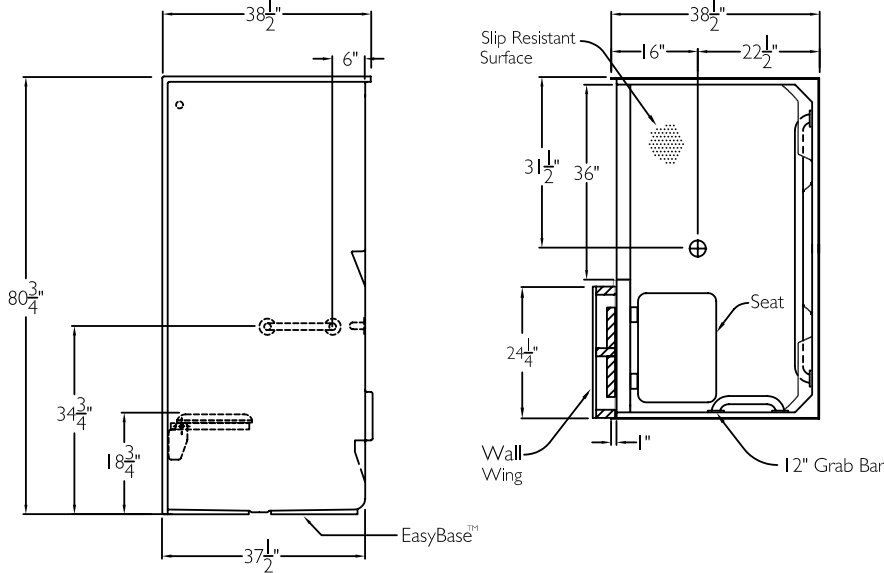
ADA/ANSI code compliant

NOTE: For ADA/ANSI compliance, pressure balancing mixing valve, hand-held shower with slide bar, vacuum breaker and 60' hose must be installed per ADA/ANSI guidelines.



SIDE VIEW

TOP VIEW

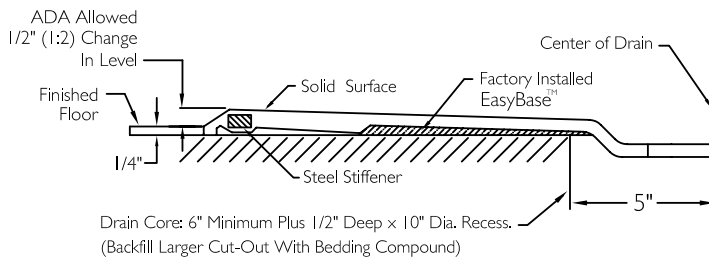


FRAMING DIMENSIONS

A 63.25" B 31.625"
C 38.5" D 22.5"

ADDITIONAL CODES

ICC/ANSI I 7.1, ANSI I 24.2, ADAAG, BOCA, NAHBUPC, Southern Building Code



TECHNICAL INFORMATION

OD 63" x 38.5" x 80.75"

ID 60" x 36" center point

LOAD FACTOR 1.79

HANDED BY Seat

CODE COMPLIANT
Enhancing Livable Design

cd
comfortdesigns

comfortdesignsbathware.com | 800.443.7269