

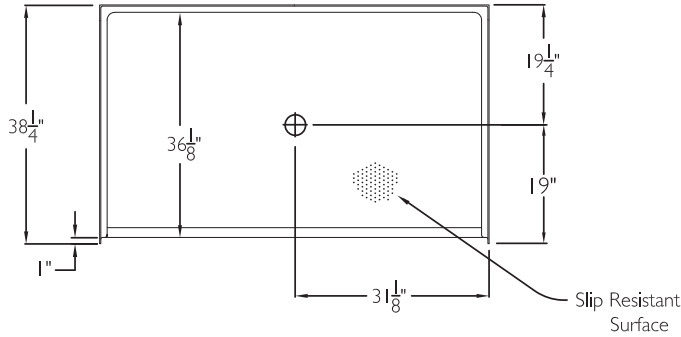
CD Technical Data Sheet

BASES COLLECTION XSB6238BFCOL

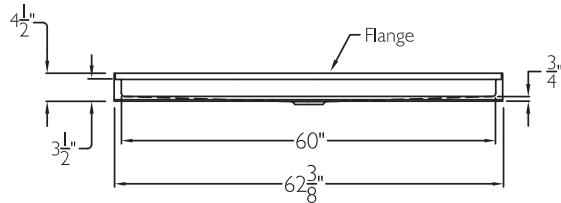
ADA/ANSI code compliant

NOTE: For ADA/ANSI compliance, pressure balancing mixing valve, hand-held shower with slide bar, vacuum breaker and 60' hose must be installed per ADA/ANSI guidelines.

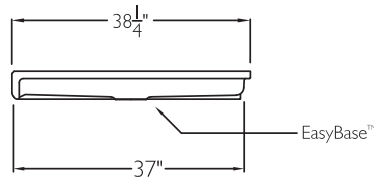
TOP VIEW



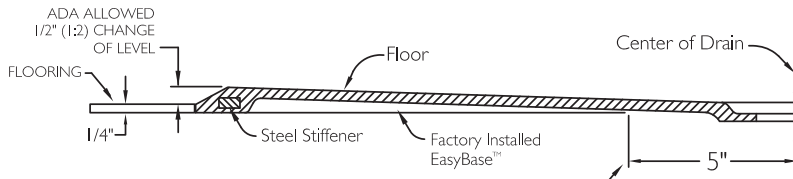
FRONT VIEW



SIDE VIEW



CROSS SECTION OF THRESHOLD



Drain Core: 6" Min. Plus $1/2"$ Deep X 10" Dia. Recess.
(Back Fill Drain Core with Bedding Compound)

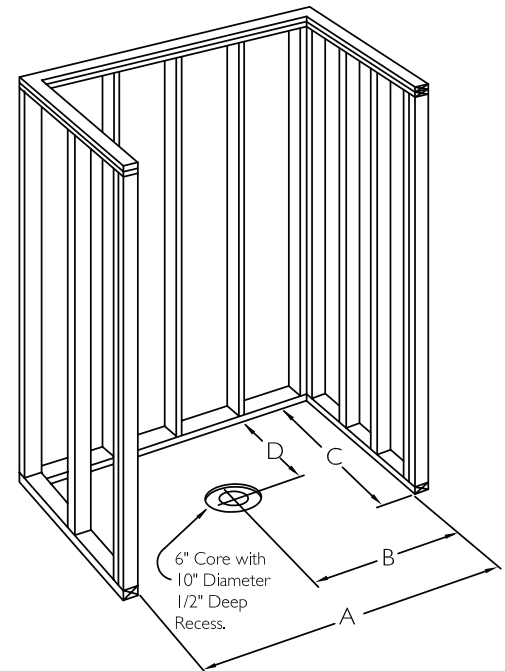
TECHNICAL INFORMATION

OD 62.375" x 38.5" x 4.5"

ID 60" x 36" center point

LOAD FACTOR 0.18

HANDED BY Center Drain



FRAMING DIMENSIONS

A 62.5" B 31.25"

C 38.25" D 19.25"

ADDITIONAL CODES

ICC/ANSI I7.1, BOCA, NAHBUPC,
Southern Building Code

BASES COLLECTION
Enhancing Livable Design