

CD Technical Data Sheet

BASES COLLECTION XSB6232BFCOL

ADA/ANSI code compliant

NOTE: For ADA/ANSI compliance, pressure balancing mixing valve, hand-held shower with slide bar, vacuum breaker and 60' hose must be installed per ADA/ANSI guidelines.

BASES COLLECTION
Enhancing Livable Design

TECHNICAL INFORMATION

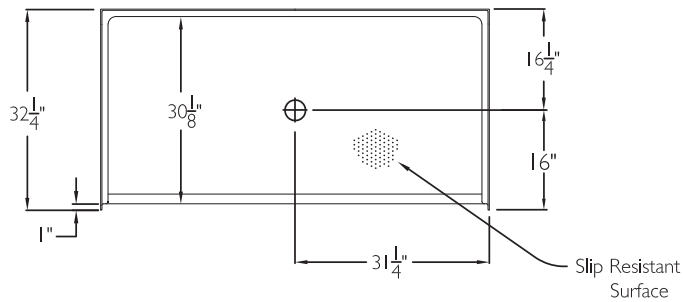
OD 62.375" x 32.5" x 4.5"

ID 60" x 30" center point

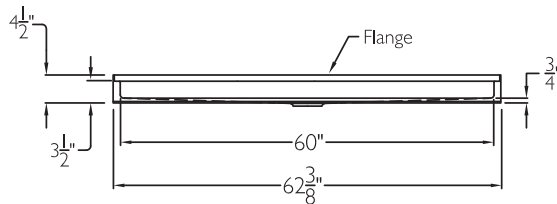
LOAD FACTOR 0.18

HANDED BY Center Drain

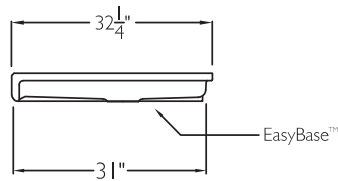
TOP VIEW



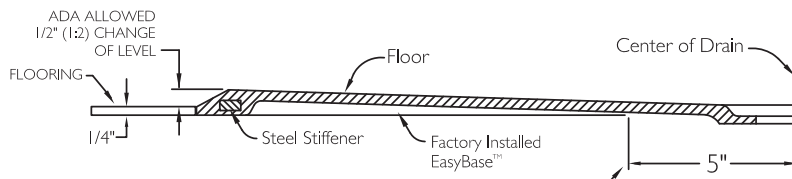
FRONT VIEW



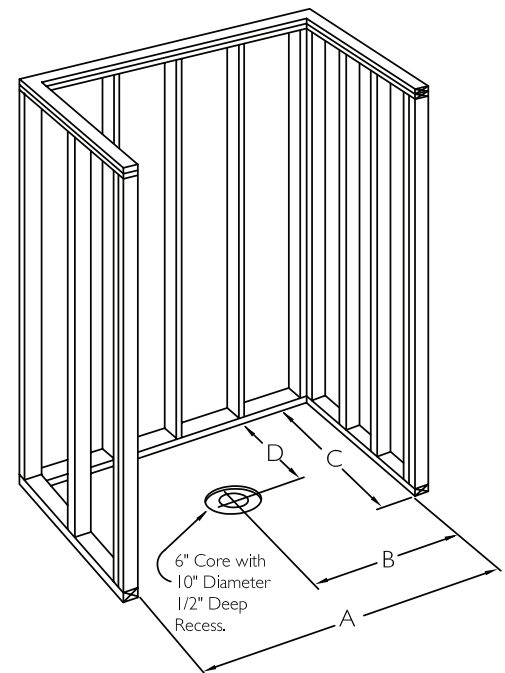
SIDE VIEW



CROSS SECTION OF THRESHOLD



Drain Core: 6" Min. Plus 1/2" Deep X 10" Dia. Recess.
(Back Fill Drain Core with Bedding Compound)



FRAMING DIMENSIONS

A 62.5" B 31.25"

C 32.25" D 16.25"

ADDITIONAL CODES

ICC/ANSI I7.1, BOCA, NAHBUPC,
Southern Building Code