

CD Technical Data Sheet

BASES COLLECTION SSB6232BFCOL

ADA/ANSI code compliant

NOTE: For ADA/ANSI compliance, pressure balancing mixing valve, hand-held shower with slide bar, vacuum breaker and 60' hose must be installed per ADA/ANSI guidelines.

BASES COLLECTION
Enhancing Livable Design

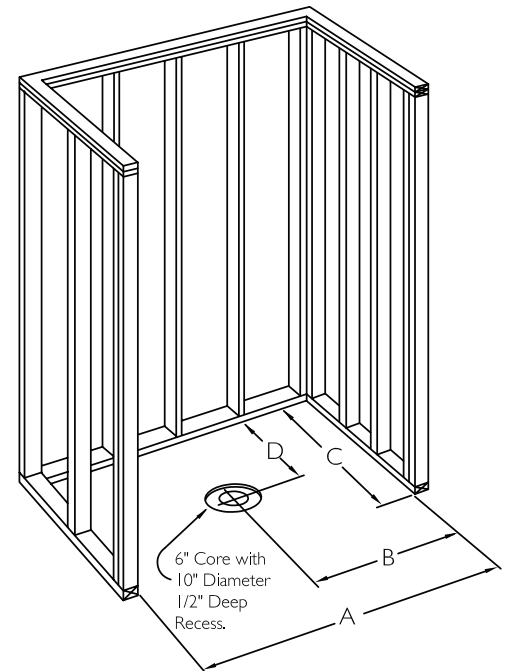
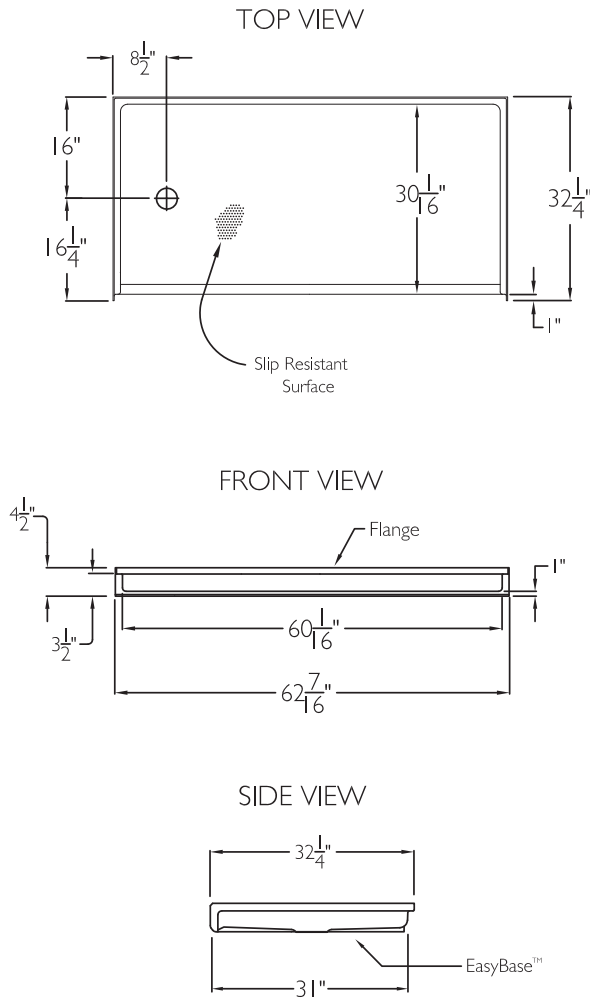
TECHNICAL INFORMATION

OD 62.375" x 32.5" x 4.5"

ID 60" x 30" center point

LOAD FACTOR 0.18

HANDED BY Center Drain



FRAMING DIMENSIONS

A 62.5" B 31.25"

C 32.25" D 16.25"

ADDITIONAL CODES

ICC/ANSI I7.1, BOCA, NAHBUPC, Southern Building Code

cd
comfortdesigns

comfortdesignsbathware.com | 800.443.7269