

TECHNICAL DATA SHEET

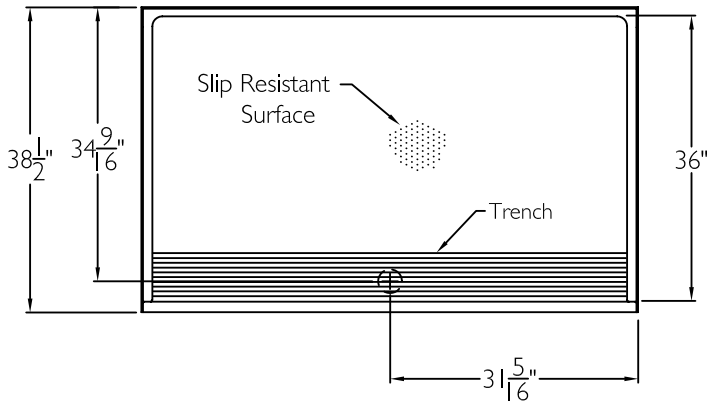
TRENCH DRAIN SHOWER SYSTEM

XSB6238TR .75

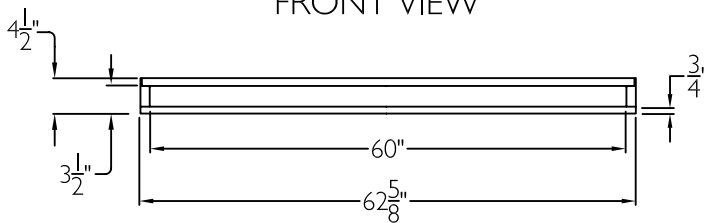
ADA/ANSI code compliant

NOTE: For ADA/ANSI compliance, pressure balancing mixing valve, hand-held shower with slide bar, vacuum breaker and 60" hose must be installed per ADA/ANSI guidelines.

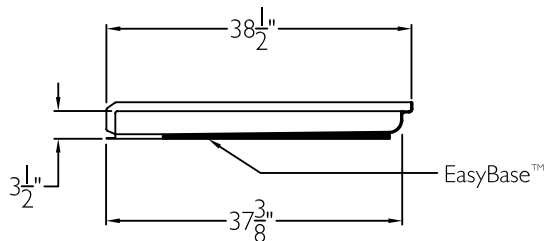
TOP VIEW



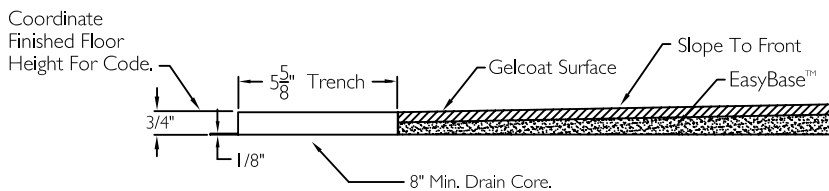
FRONT VIEW



SIDE VIEW



CROSS SECTION OF THRESHOLD



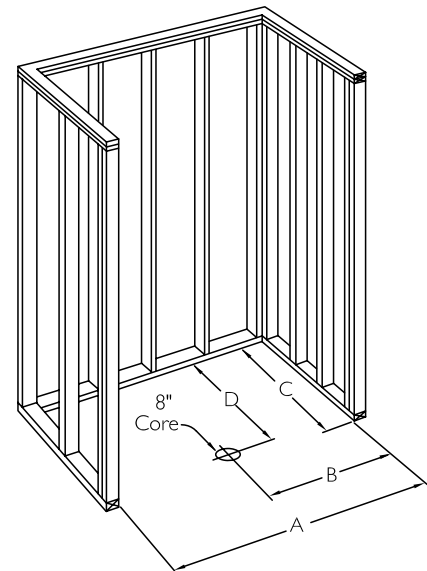
TECHNICAL INFORMATION

OD 62.625" x 38.5" x 4.5"

ID 60" x 36" center point

LOAD FACTOR .22

HANDED BY Center Drain



FRAMING DIMENSIONS

A 62.75" B 31.5"

C 38.5" D 34.5"

ADDITIONAL CODES

ICC/ANSI I 7.1, ANSI 24.2, ADAAG, BOCA, NAHBUPC, Southern Building Code

CODE COMPLIANT
Enhancing Livable Design

cd
comfortdesigns

comfortdesignsbathware.com | 800.443.7269