

# TECHNICAL DATA SHEET

## TRENCH DRAIN SHOWER SYSTEM

### SSB6232TR .75

ADA/ANSI code compliant

NOTE: For ADA/ANSI compliance, pressure balancing mixing valve, hand-held shower with slide bar, vacuum breaker and 60" hose must be installed per ADA/ANSI guidelines.

**CODE COMPLIANT**  
Enhancing Livable Design

#### TECHNICAL INFORMATION

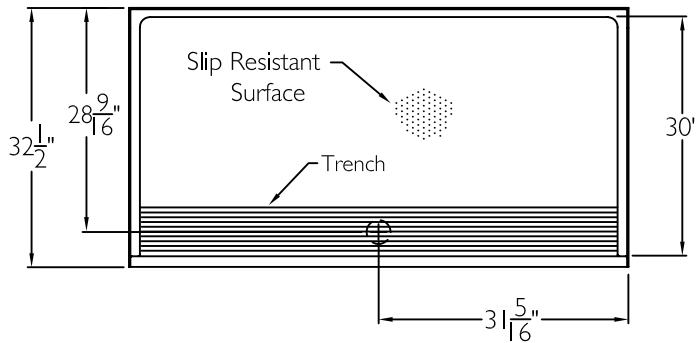
OD 62.625" x 32.5" x 4.5"

ID 60" x 30" center point

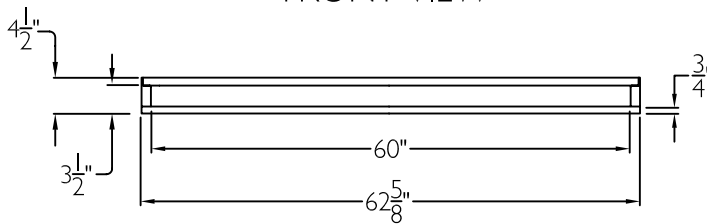
LOAD FACTOR .22

HANDED BY Center Drain

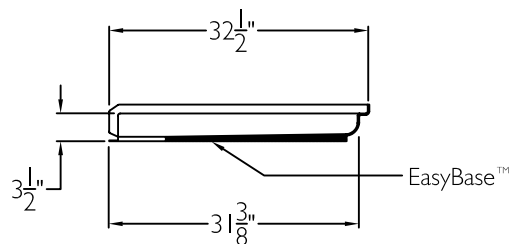
TOP VIEW



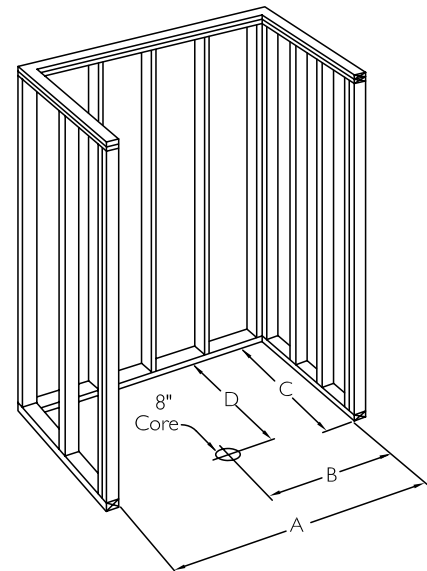
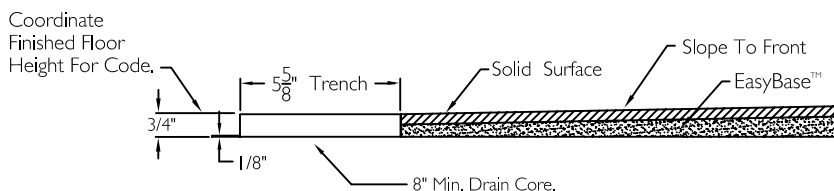
FRONT VIEW



SIDE VIEW



CROSS SECTION OF THRESHOLD



#### FRAMING DIMENSIONS

A 62.75" B 31.5"

C 32.5" D 28.5"

#### ADDITIONAL CODES

ICC/ANSI 17.1, ANSI 24.2, ADAAG, BOCA, NAHBUPC, Southern Building Code

