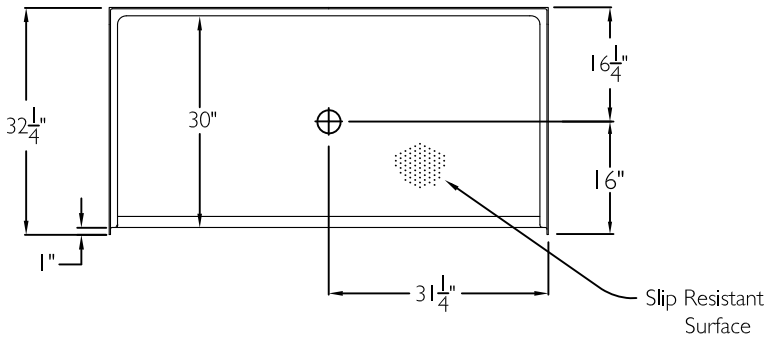




TOP VIEW

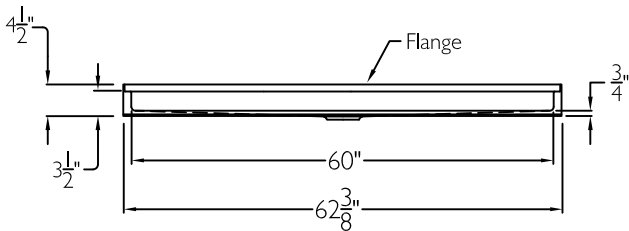


SUBMITTAL

This shower base shall be model XSB 6232 BF .75 base center. Finished surface shall be of a sanitary grade applied acrylic. The base shall be attached to the sump in such manner to form an integral part with an inner and outer coating of polyester resin. Unit construction shall be of a molded reinforced fiberglass with a 15% minimum fiberglass content.

The unit shall have outside dimensions of 62 3/8" x 32 1/4" x 4 1/2". The unit shall meet CSA B45.5-11, HUD-UM73, ADA, ANSI A117.1, and Home Innovation Research Lab.

FRONT VIEW

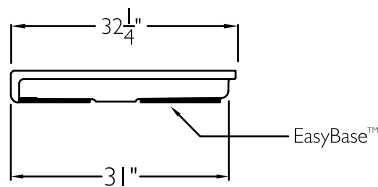


HANDED BY THE CENTER

The enclosure shall be equipped with the following accessories:

- 1) Low entry threshold,
- 2) Center drain location,
- 3) Easy Base self sustaining bottom,
- 4) Applied acrylic finish,
- 5) 3/4" vertical threshold.

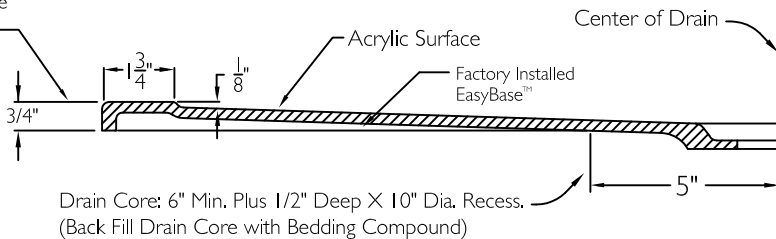
SIDE VIEW



NOTE: Inside dimensions comply with ADA , ANSI A117.1, guidelines for code compliant roll-in shower. Compliance may be met if code compliant walls with grab bars, seat, and valve package with hand shower are installed. Walls and code compliant accessories by others.

CROSS SECTION OF THRESHOLD

Coordinate Finished Floor Height For Code. Finished Floor May Be No More Than 1/4" Below The Top Of Compartment Threshold.



THIS UNIT FEATURES THE OUTSIDE DIMENSIONS OF 62 3/8" AND 32 1/4", FINISHED WALLS ABOVE THE SHOWER BASE BY OTHERS.

THIS SHOWER BASE IS AVAILABLE WITH SECTIONAL WALL SYSTEM MODEL: XST 6232 BF .75 C.

|  |                        |      |   |   |
|--|------------------------|------|---|---|
| Job Name   | Approved By Print Name | Date | COMFORT DESIGNS                         |   |
| Project No   | Approved By Signature  |      | Model No. XSB 6232 BF .75 C Base-I      |   |
| Comfort Designs<br>435 Industrial Road<br>Savannah, TN 38372<br>tel 800,443,7269<br>fax 731,925,4290<br>www.comfortdesignsbathware.com | Architect              |      | Drawing No. XSB 6232 BF .75 C Easy Base |   |
|  | Engineer               |      | Date Issued. 5-7-12                     | Drawing Rev. 12-6-16  |
|  | Rep                    |      | Material. Acrylic Surface               |   |
|  | Wholesaler             |      | Color.                                  |   |
|  | Comments               |      |   | Dimensions are in inches. Due to the nature of the materials dimensions may vary ± 1/2" |