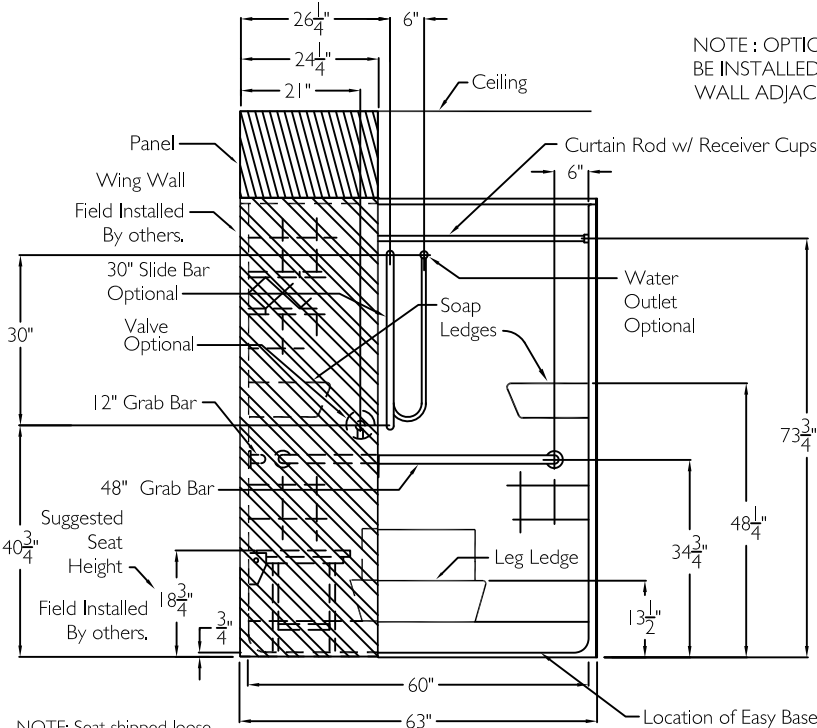


FRONT VIEW



NOTE : OPTIONAL VALVE PACKAGE MAY BE INSTALLED ON THE BACK OR SIDE WALL ADJACENT THE SEAT.



SUBMITTAL

This shower enclosure shall be model SST 6336 BF .75 COL. Finished surface shall be of a sanitary grade solid surface exhibiting a minimal thickness of 55 dry mils and a finished cured Barcoal hardness of 80-90 as tested with ASTM D-2583. Unit construction shall be of a molded reinforced fiberglass with a 15% minimum fiberglass content.

The unit shall have outside dimensions of 63" x 38 1/2" x 80 3/4".

The unit shall meet ANSI Z124.1-2, BOCA, Home Innovation Research Lab, UPC, CSA, HUD, and shall meet the requirements of the Southern Building Code.

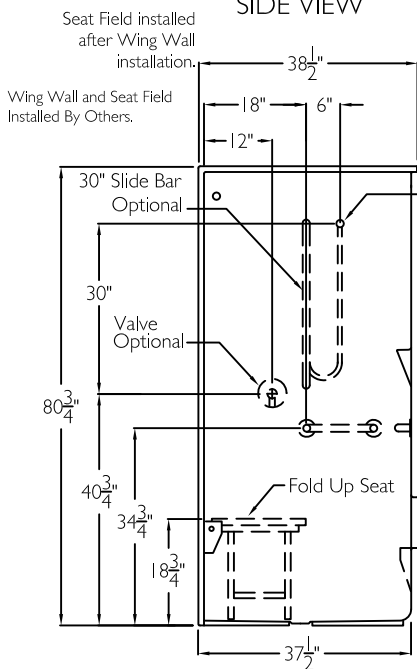
HANDED BY THE SEAT.

NOTE: WHEN USING THE WING WALL, CREATING AN ALTERNATE ROLL-IN SHOWER CONFIGURATION, UNIT WILL NOT COMPLY WITH ADA, OR ANSI A117.1 GUIDELINES. INTERIOR DEPTH MUST BE 36" FOR COMPLIANCE.

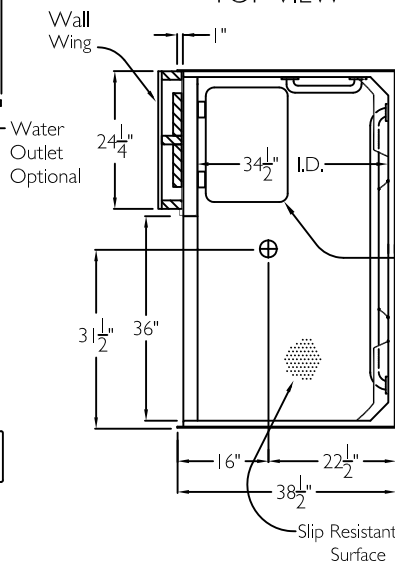
The enclosure shall be equipped with the following accessories:

- 1) One 48" x 1 1/2" diameter 18 gauge stainless steel grab bar on the back wall,
- 2) One 12" x 1 1/2" diameter stainless steel grab bar on the side wall adjacent the wing wall, both with 1 1/2" stature clearance, secured from the rear with stainless steel bolts and 3" x 3" x 11 gauge metal mounting plates,
- 3) Molded corner soap dishes,
- 4) Molded lower ledge on back wall,
- 5) Tile finish,
- 6) Diamond accents,
- 7) One inch diameter stainless steel curtain rod with receiver cups,
- 8) Wing Wall, shipped loose to be field installed by others,
- 9) 22" x 16" WGPH fold up seat with legs, shipped loose to be field installed on the wing wall by others,
- 10) Factory installed Easy Base self sustaining bottom,
- 11) 3/4" Change of level threshold.

SIDE VIEW



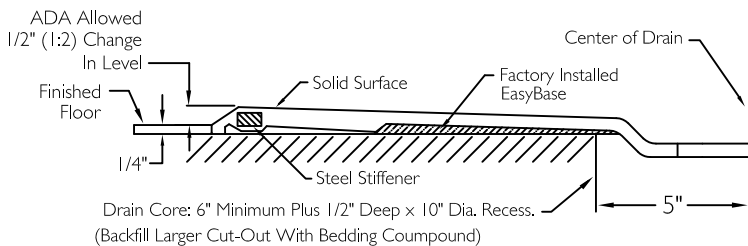
TOP VIEW



OPTIONAL ACCESSORIES:	
Factory Plumbing Install Option:	<input type="checkbox"/> YES <input type="checkbox"/> NO
<input type="checkbox"/> PB Pressure Balancing Mixing Valve	(ADA / ANSI)
<input type="checkbox"/> HH Hand held shower assembly with slide bar, vacuum breaker and 60" hose	(ADA / ANSI)

THIS UNIT FEATURES THE OUTSIDE DIMENSION OF 63" OF OVERALL WIDTH. THIS DOES NOT ALLOW FOR FULL ENCLOSURE OF THE BOLTS AND NUTS USED TO SECURE THE BARS AND SEAT IN PLACE. THE BOLT AND NUT COMBINATION SHOULD NOT PROTRUDE MORE THAN 3/4" ON EITHER SIDE OF THE SHOWER WALLS. THIS MAY REQUIRE THE NEED TO NOTCH STUDS TO ALLOW BOLT CLEARANCE FOR A DRYWALL ENCLOSED FIRE WALL INSTALLATION. ADJUSTMENT OF THE WALL BOARD MAY BE NECESSARY TO PROVIDE CLEARANCE OF THE BOLT(S) WHILE MAINTAINING THE INTEGRITY OF THE DRYWALL ENCLOSED FIRE WALL ENCLOSURE.

NOTE: THIS UNIT WILL NOT ACCEPT A DOOR.



Job Name	Approved By Print Name	Date	COMFORT DESIGNS	
Project No	Approved By Signature		Model No. SST 6336 BF COL .75 WW-I	
Comfort Designs 435 Industrial Road Savannah, TN 38372 tel 800.443.7269 fax 731.925.4290 www.comfordesignsbathware.com	Architect		Drawing No. SST 6336 BF COL .75 WW HBW HSW WGPH Loose CR.VP Easy Base	
	Engineer		Date Issued. 4-4-12	Drawing Rev. 5-12-15
	Rep		Material. Solid Surface	
	Wholesaler		Color:	
	Comments		Dimensions are in inches. Due to the nature of the materials dimensions may vary ± 1/2"	