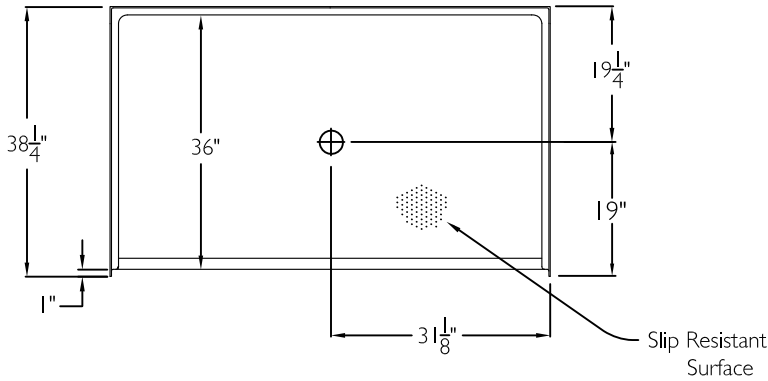
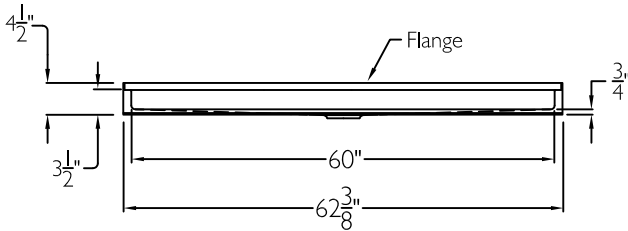


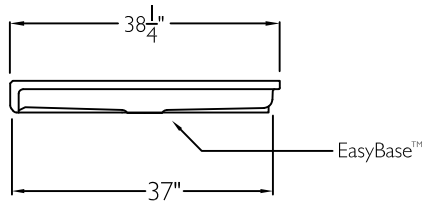
TOP VIEW



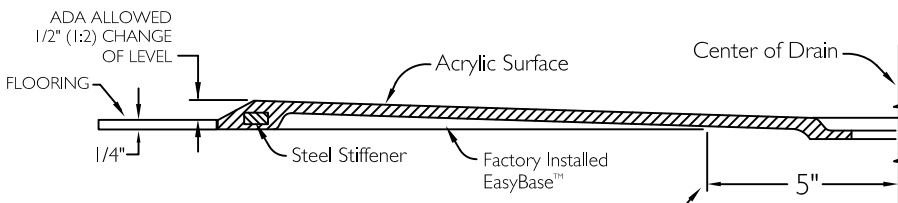
FRONT VIEW



SIDE VIEW



CROSS SECTION OF THRESHOLD



Drain Core: 6" Min. Plus 1/2" Deep X 10" Dia. Recess.
(Back Fill Drain Core with Bedding Compound)

SUBMITTAL

This shower base shall be model XSB 6238 BF .75 COL base center. Finished surface shall be of a sanitary grade applied acrylic. The base shall be attached to the sump in such manner to form an integral part with an inner and outer coating of polyester resin. Unit construction shall be of a molded reinforced fiberglass with a 15% minimum fiberglass content.

The unit shall have outside dimensions of 62 3/8" x 38 1/4" x 4 1/2". The unit shall meet CSA B45.5-11, HUD-UM73, ADA, ANSI A117.1, and Home Innovation Research Lab.

HANDED BY THE CENTER

The enclosure shall be equipped with the following accessories:

- 1) Low entry threshold,
- 2) Center drain location,
- 3) Easy Base self sustaining bottom,
- 4) Applied acrylic finish,
- 5) 3/4" Change of level threshold.

NOTE: Inside dimensions comply with ADA , ANSI A117.1, guidelines for code compliant roll-in shower. Compliance may be met if code compliant walls with grab bars, seat, and valve package with hand shower are installed.
Walls and code compliant accessories by others.

THIS UNIT FEATURES THE OUTSIDE DIMENSIONS OF 62 3/8" AND 32 1/4". FINISHED WALLS ABOVE THE SHOWER BASE BY OTHERS.

THIS SHOWER BASE IS AVAILABLE WITH SECTIONAL WALL SYSTEM MODEL: XST 6238 BF .75 C.

Job Name	Approved By Print Name	Date	COMFORT DESIGNS	
Project No	Approved By Signature		Model No. XSB 6238 BF .75 COL C Base-I	
Comfort Designs 435 Industrial Road Savannah, TN 38372 tel 800.443.7269 fax 731.925.4290 www.comfortdesignsbathware.com	Architect		Drawing No. XSB 6238 BF .75 COL C Easy Base	
	Engineer		Date Issued. 5-7-12	Drawing Rev. 12-2-16
	Rep		Material. Acrylic Surface	
	Wholesaler		Color.	
	Comments			Dimensions are in inches. Due to the nature of the materials dimensions may vary ± 1/2"