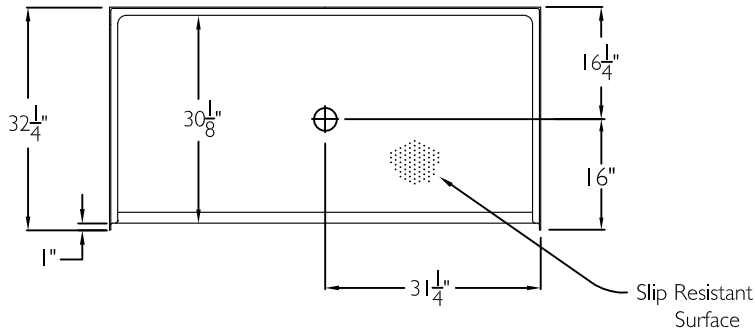
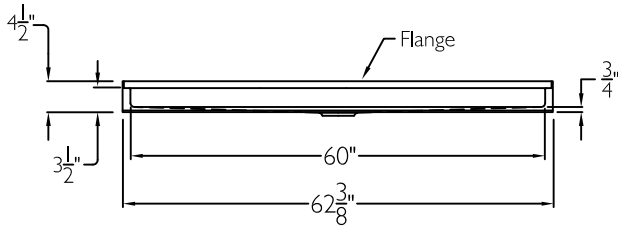


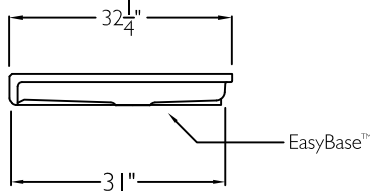
TOP VIEW



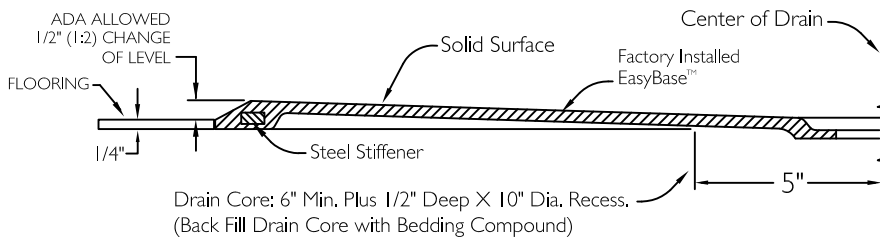
FRONT VIEW



SIDE VIEW



CROSS SECTION OF THRESHOLD



SUBMITTAL

This shower enclosure shall be model SSB 6232 BF .75 Base center drain. Finished surface shall be of a sanitary grade solid surface exhibiting a minimal thickness of 55 dry mils and a finished cured Barcoal hardness of 80-90 as tested with ASTM D-2583. Unit construction shall be of a molded reinforced fiberglass with a 15% minimum fiberglass content.

The unit shall have outside dimensions of 62 3/8" x 32 1/4" x 4 1/2" with a .75" Change Of Level threshold.

The unit shall meet ANSI Z124.1-2, BOCA, UPC, CSA, Home Innovation Research Lab, and shall meet the requirements of the Southern Building Code.

HANDED BY THE CENTER DRAIN

NOTE: Inside dimensions comply with ADA, ANSI A117.1, UFAS codes for accessible Transfer Shower. Compliance can be met if code compliant walls with grab bars, seat, and valve package with hand held shower are installed. Walls and accessories above the base by others.

The enclosure shall be equipped with the following features:

- 1) Low entry threshold,
- 2) EasyBase™ self sustaining bottom,
- 3) Slip resistant surface on floor,
- 4) Solid Surface finish,
- 5) .75" Change Of Level Threshold.

THIS UNIT FEATURES THE OUTSIDE DIMENSIONS OF 62 3/8" AND 32 1/4". FINISHED WALLS ABOVE THE SHOWER BASE BY OTHERS.

THIS SHOWER BASE IS AVAILABLE WITH SECTIONAL WALL SYSTEM MODEL: SST 6232 BF .75 C.

Job Name	Approved By Print Name	Date	COMFORT DESIGNS	
Project No	Approved By Signature		Model No. SSB 6232 BF .75 COL C Base-1	
Comfort Designs 435 Industrial Road Savannah, TN 38372 tel 800.443.7269 fax 731.925.4290 www.comfortdesignsbathware.com	Architect		Drawing No. SSB 6232 BF .75 COL C Easy Base	
	Engineer		Date Issued. 5-7-12	Drawing Rev. 12-3-13
	Rep		Material. Solid Surface	
	Wholesaler		Color:	
	Comments		Dimensions are in inches. Due to the nature of the materials dimensions may vary ± 1/2"	