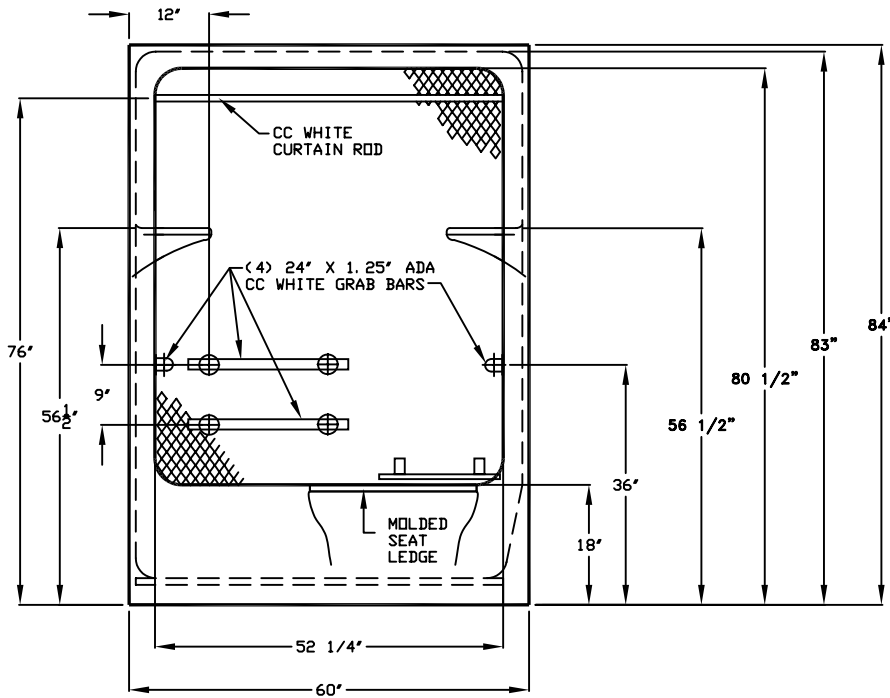


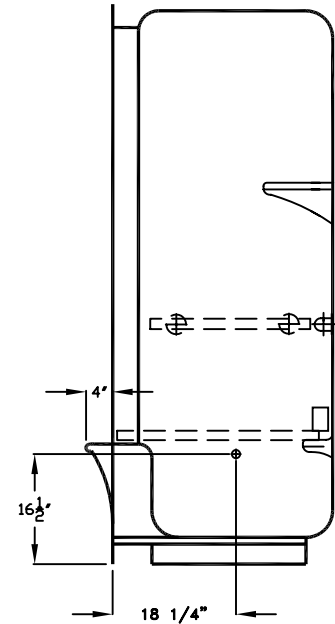
Comfort Series

For Dimensional Purposes Only

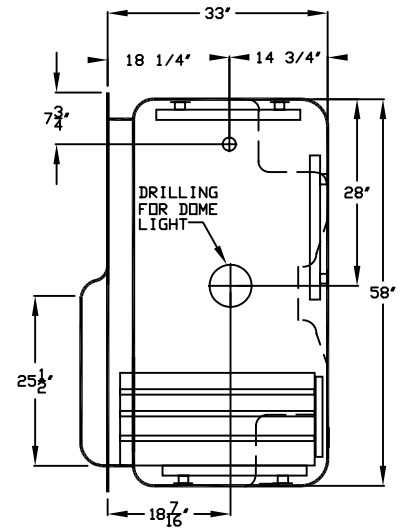
FRONT VIEW



SIDE VIEW



TOP VIEW



FEATURES:
DESCRIPTION
HIGH GLOSS ACRYLIC
CANTILEVERED TRANSFER LEDGE
TEXTURED FLOOR
INTEGRAL SOAP/SHAMPOO LEDGES

BENEFITS:

- * SEAMLESS ONE PIECE DESIGN
- * SOLID NON-POROUS SANITARY SURFACE
- * EASY TO CLEAN
- * STRONGER THAN POLYESTER GEL-COAT
- * PROVIDES SAFE & COMFORTABLE TRANSFER
- * CONTOURED LEDGE
- * FUNCTIONAL BUILT IN GRIPPING SURFACE AIDING THE BATHER TO A STANDING POSITION
- * SLIP RESISTANT SURFACE
- * PROVIDES AMPLE STORAGE
- * CONTACT MANUFACTURER FOR FRAMING INSTALLATION DETAILS.

DUE TO THE NATURE OF THE MATERIALS INVOLVED, UNIT DIMENSIONS MAY VARY ±1/2 INCH.

Job Name:		Comfort Designs	
Model No.: APS6032TS w/ (4) 24" CC white ADA grab bars, CC white curtain rod, Hinged Phenolic seat, & drilled for dome light.		Drawing#: APS6032TSC	
Approved by:	Date Approved:	Date: 4-25-01 Revised: 8-22-02	
Rep.:	Wholesaler:	Quote No.:	

COMFORT DESIGNS, INC.
10700 SPRING RUN RD - CHESTERFIELD, VA 23832
1 (800) 801-2820 - FAX (804) 790-1364 E-MAIL - comfortdesigns@comcast.net