

XST6333BFADA.75
RH VALVE SHOWN
SUBMITTAL DATA



PREPACKAGED MODEL 633310

STANDARD FEATURES



OD: 63" x 34" x 78 3/4"
ID: 60" x 33"

Weight: TBD
Material: Gel-coat

- 4" classic tile with diamond accent
- 3/4" change of level threshold (1/4" finished flooring required)
- Walls constructed with 1/2" tri-cell honeycomb
- 2 molded corner soap dishes
- 1 large molded soap ledge at seat level
- Textured floor

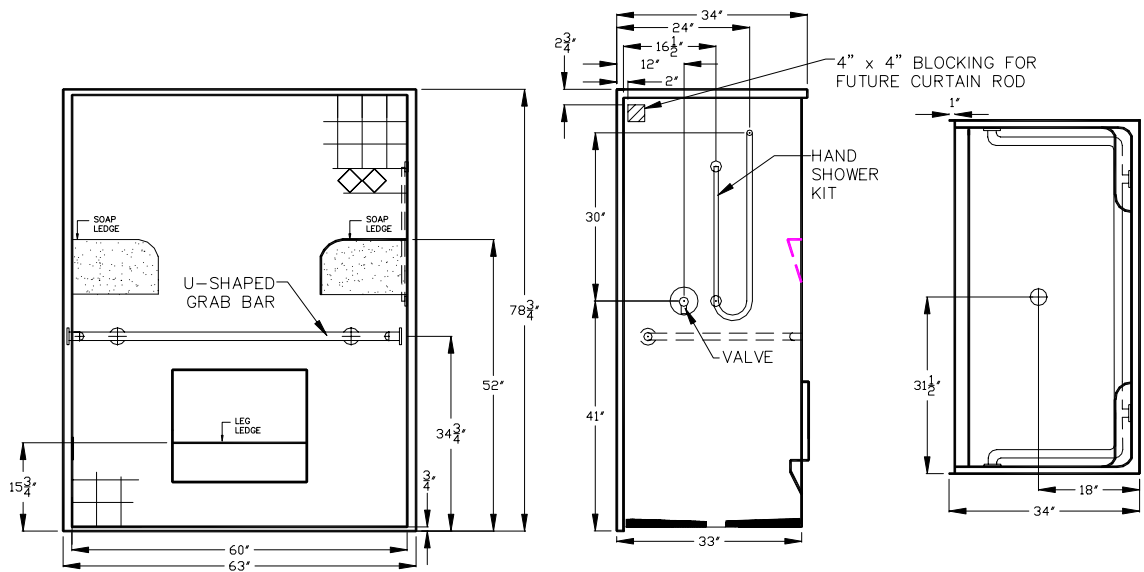
Please make accessory selections on back

Technical data on back

Note:

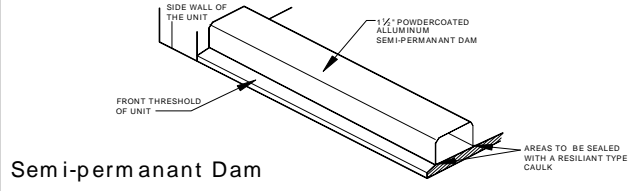
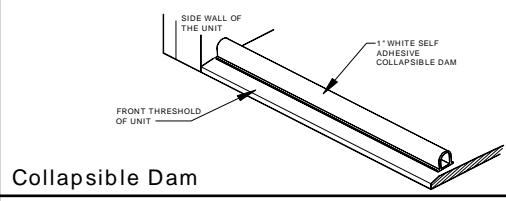
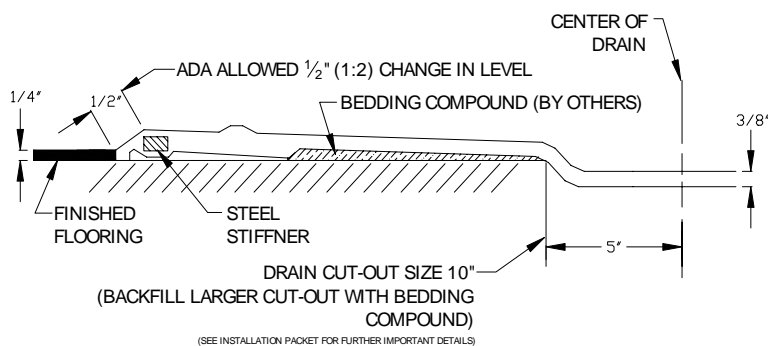
Do not rough in for shower valve until unit is received & in place
Due to the nature of materials, dimensions may vary +/- 1/2"
This unit can not accept a shower door

This photo does not reflect this "prepackaged model" accessory configuration.



Cross Section of Threshold

Water Retainage Options



ACCESSORY OPTIONS

Grab bar:

- 1 1/4" OD Comfort Care white
- 1 1/4" OD Comfort Care Bone
- 1 1/4" OD Stainless Steel
- Other: _____

Finish Options:

- Max-guard anti-bacterial protection
- Century Stone Color _____
- "Blue Coated" protective coating spray

Valve Package:

- Symmon's BP-X Pressure Balanced Valve
- Power's 905H Pressure Balanced Valve
- Moen 8350 Pressure Balanced Valve

Hand Held Shower Kit Includes:

- Hansgrohe/Alson's hand shower, 24" slide guide, vacuum breaker, supply elbow, & hose

Water Retainment Accessory Options Shipped loose:

- White self adhesive collapsible dam
- 1 1/2" white semi-permanent dam
- No caulk shower drain

Gel-coat color options:

- White
- Bone
- Biscuit/Linen
- Other: _____

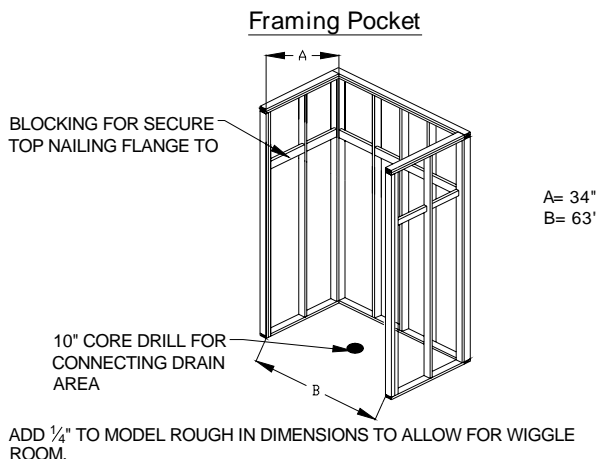
Comments: _____

COORDINATION

Installation Requirements

"No Recess Necessary" units are designed to be installed directly on the sub-floor surface. A 10" core drill or molded voids in slab or sub-floor surface 1/2" deep are required to accept a natural drain slope of unit. A non-shrinking thin set bedding slurry is required for standard installation. See Installation Instruction packet for further details.

OPTION The "Level Ready Base". This option eliminates the need for labor materials (slurry mix) and extra time that's usually required during the normal mud set installation. **THE FLOOR OF THIS SHOWER UNIT IS SELF-SUSTAINING. ONCE SET IN PLACE, THE SHOWER WITH THIS OPTION MAY ONLY NEED TO BE SHIMMED.** Refer to the installation instructions for further details.



OTHER IMPORTANT INFO

Warranty: 3 years when installed in accordance with manufacturers installation instructions.

Code Reference Listing

This model shall meet or exceed the following code listings when fully accessorized and installed according to each codes requirements.

ICC/ANSI117.1 ANSI124.2 ADAAG HUD BOCA NAHB UPC Southern Building Code

JOB INFORMATION

Job Name: _____

Date: _____

Approved by: _____ (Print) _____ (Signature)

Quantity: RH LH (According to Valve wall) Drawing # XST633310 Revised: 2-12-04

Wholesaler: _____

Architect: _____

Note: By signing this factory submittal sign-off drawing you are agreeing that the unit will be built according to your above selections and understand that you have to follow all instructions on page 1&2 of this drawing. PO will reflect drawing.